

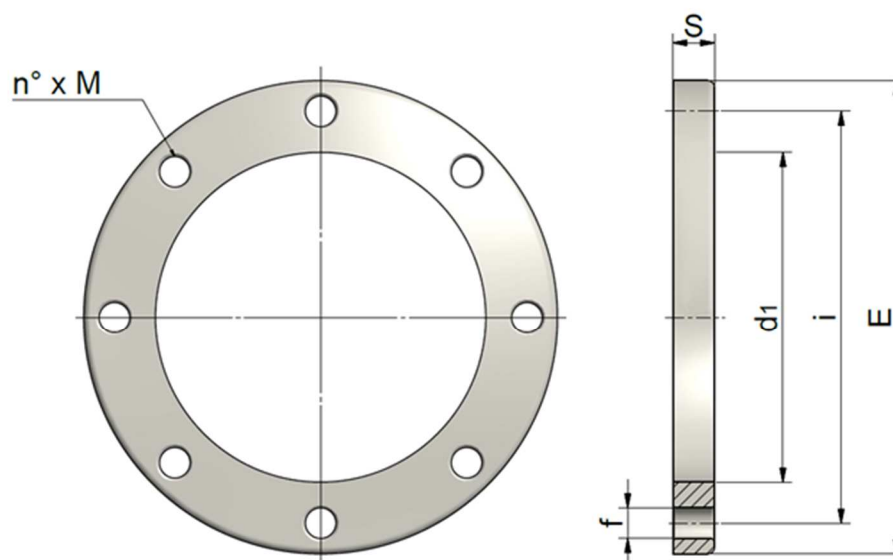
## PP Flanges

### PP Flange

#### BACKING RING DIN FLANGIA LIBERA DIN

Rev. Jul 2020

- PP-FRP grey / *PP-FRP grigio*
- Steel Insert / *inserto acciaio*
- Compatible with PP-H long and short spigot stub flanges / *Compatibili con collari in PP-H a codolo lungo e corto*



Code	d	d1	S	E	i	f	n° x M	PN	Weight (g)
RHPFLH0200	20	28	12	95	65	14	4 x M12	10	244
RHPFLH0250	25	34	14	108	75	14	4 x M12	10	309
RHPFLH0320	32	42	16	115	85	14	4 x M12	10	400
RHPFLH0400	40	51	18	140	100	18	4 x M16	10	605
RHPFLH0500	50	62	18	150	110	18	4 x M16	10	719
RHPFLH0630	63	78	18	165	125	18	4 x M16	10	770
RHPFLH0750	75	92	18	186	145	18	4 x M16	10	1114
RHPFLH0900	90	108	20	202	160	18	8 x M16	10	1175
RHPFLH1100	110	128	20	220	180	18	8 x M16	10	1335
RHPFLH1250	125	135	20	220	180	18	8 x M16	10	1210
RHPFLH1400	140	158	24	250	210	18	8 x M16	10	1950
RHPFLH1600	160	178	23	285	240	22	8 x M20	10	2640
RHPFLH1800	180	190	23	285	240	22	8 x M20	10	2250
RHPFLH2000	200	235	25	340	295	22	8 x M20	10	2680
RHPFLH2250	225	238	25	340	295	22	8 x M20	10	2660

All descriptions and illustrations in this publication are intended for guidance only and shall not constitute a 'sale by description'. All dimensions given are nominal, while changes can be done on the information, products and specifications from time to time for a variety of reasons, without prior notice. The information in this publication is provided 'as is' on the revision date stated on the sheet. Updates will not be issued automatically. This information is not intended to have any legal effect, whether by way of advice, representation or warranty (express or implied). We accept no liability whatsoever (to the extent permitted by law) if you place any reliance on this publication you must do so at your own risk. All rights reserved. Copyright in this publication belongs to Polypipe Italia and all such copyright may not be used, sold, copied or reproduced in whole or part in any manner in any media to any person without prior consent. **EFFAST** is a registered trademark."