

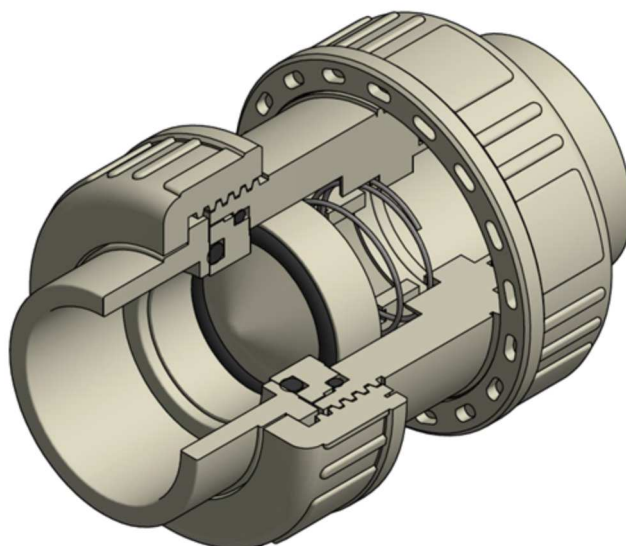
## PP-H Double union spring check valves CV PP-H Valvole di non ritorno radiali a molla CV

Rev. Apr 2020

EFFAST PP-H spring check valve CV is ideal for use in applications that require precise closure and noiseless movement. It is ideal for chemical and industrial applications.

*Le valvole di non ritorno a molla EFFAST serie CV in PP-H sono ideali per applicazioni che richiedono una chiusura precisa e movimenti silenziosi. Sono ideali per applicazioni nei settori chimico e industriale.*

- Suitable for vertical and horizontal installation.  
*Adatta per installazione orizzontale e verticale.*
- Stainless Steel spring; PTFE coated spring on request.  
*Molla in acciaio Inox e, su richiesta, con rivestimento in PTFE.*
- EPDM or FKM seals available.  
*Disponibile con guarnizioni in EPDM o FKM.*



### TECHNICAL FEATURES / CARATTERISTICHE TECNICHE

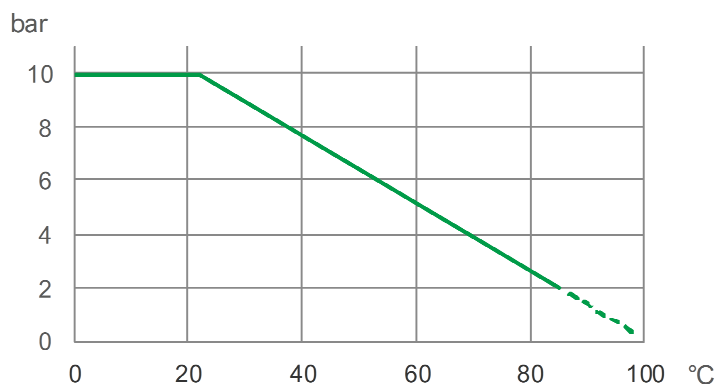
NOMINAL PRESSURE / PRESSIONE NOMINALE	PN 10 (20°C)
DIMENSIONS / DIMENSIONI	DN 15 ÷ DN 50 (d.20 ÷ 63 – 1/2" ÷ 2")
VALVE MATERIAL / MATERIALE VALVOLA	PP-H
SEALS MATERIAL / MATERIALE GUARNIZIONI	EPDM or FKM / EPDM o FKM
TEMPERATURE RANGE / TEMPERATURA	0°C ÷ 100°C
COUPLING STANDARDS / GIUNZIONI	Metric female ends for socket fusion / Manicotti metrici per saldatura a bicchiere BSPP threaded sockets / Manicotti filettati BSPP

## PP-H Double union spring check valves CV PP-H Valvole di non ritorno radiali a molla CV

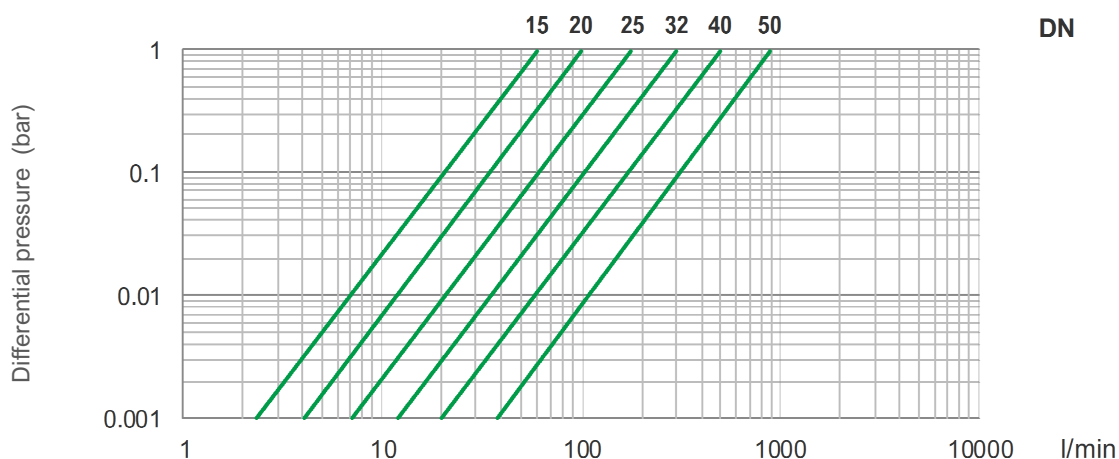
### Operating pressure / Pressione di esercizio

Maximum operating pressure for PP-H: according to temperature as shown in graph.

Massima pressione di esercizio per il PP-H: secondo quanto indicato nel grafico in figura.



### Pressure loss / Perdite di carico

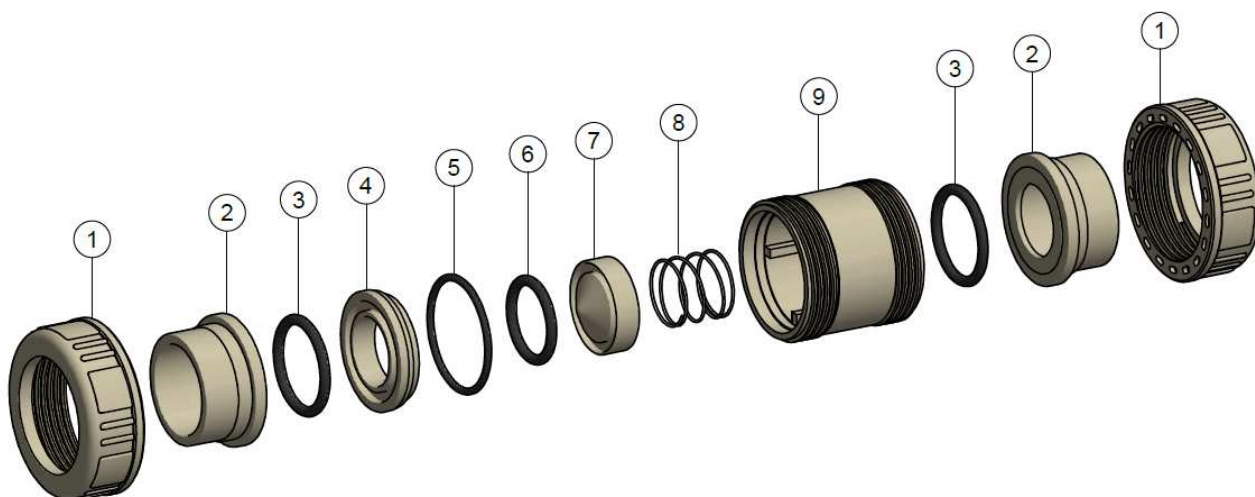


### Minimum opening pressure / Pressione minima di apertura

DN	DN 15	DN 20	DN 25	DN 32	DN 40	DN 50
bar	0.012	0.010	0.010	0.010	0.008	0.008

## PP-H Double union spring check valves CV PP-H Valvole di non ritorno radiali a molla CV

### Components / Componenti



n.	COMPONENT	MATERIAL	Qty
1	Nut / Ghiera	PP-H	2
2	Socket / Manicotto	PP-H	2
3	Socket O-ring / O-ring manicotto	EPDM/FKM	2
4	Gasket carrier / Supporto guarnizioni	PP-H	1
5	Body O-ring / O-ring corpo	EPDM/FKM	1

n.	COMPONENT	MATERIAL	Qty
6	Plunger O-ring / O-ring otturatore	EPDM/FKM	1
7	Plunger / Otturatore	PP-H	1
8	Spring / Molla	SS or PTFE coated	1
9	Body / Corpo	PP-H	1

All descriptions and illustrations in this publication are intended for guidance only and shall not constitute a 'sale by description'. All dimensions given are nominal, while changes can be done on the information, products and specifications from time to time for a variety of reasons, without prior notice. The information in this publication is provided 'as is' on the revision date stated on the sheet. Updates will not be issued automatically. This information is not intended to have any legal effect, whether by way of advice, representation or warranty (express or implied). We accept no liability whatsoever (to the extent permitted by law) if you place any reliance on this publication you must do so at your own risk. All rights reserved. Copyright in this publication belongs to Polypipe Italia and all such copyright may not be used, sold, copied or reproduced in whole or part in any manner in any media to any person without prior consent. **EFFAST** is a registered trademark.