

## PP-H Double union ball valves BK1

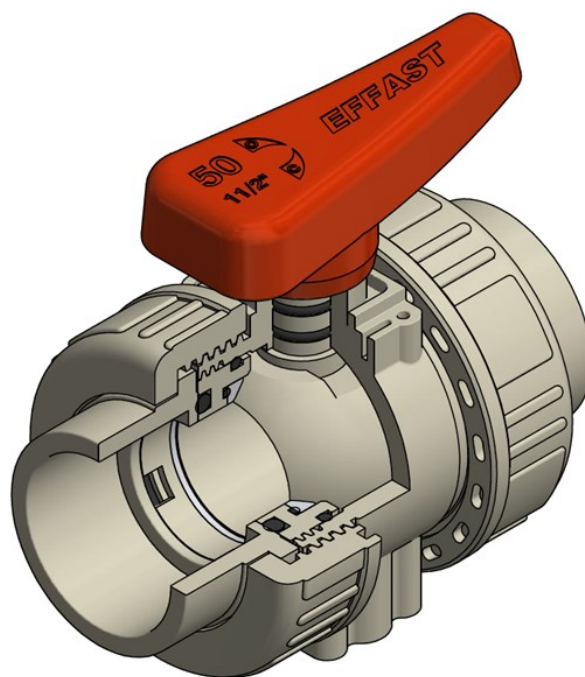
### PP-H Valvole a sfera radiali BK1

Rev. Mar 2020

Thanks to its good chemical resistance and the possibility to be actuated, PP-H double union ball valve BK1 is ideal for chemical and industrial applications.

*Grazie alla loro resistenza chimica e alla possibilità di essere attuate, le valvole a sfera radiali BK1 in PP-H sono ideali per applicazioni chimiche e industriali.*

- Floating full bore ball locked in place on both sides.  
*Sfera di tipo flottante a passaggio totale e bloccata da entrambi i lati.*
- Machined ball to ensure the best sealing.  
*Sfera lavorata per garantire la miglior tenuta.*
- Sealing adjustment and disassembling by key incorporated on the handle.  
*Possibilità di regolazione del supporto guarnizioni tramite la chiave incorporata nella maniglia.*
- Actuated versions available.  
*Disponibile nella versione attuata.*
- Compliant with the requirements of Pressure Equipment Directive 2014/68/EU, Annex III, Module A2.  
*Conforme ai requisiti della Direttiva Europea 2014/68/EU sulle attrezzature a pressione, Allegato III, Modulo A2.*



#### TECHNICAL FEATURES / CARATTERISTICHE TECNICHE

NOMINAL PRESSURE / PRESSIONE NOMINALE	PN 10 (20°C)
DIMENSIONS / DIMENSIONI	DN 15 ÷ DN 50 (d.20 ÷ 63 mm – 1/2" ÷ 2")
VALVE MATERIAL / MATERIALE VALVOLA	PP-H
SEALS MATERIAL / MATERIALE GUARNIZIONI	O-rings: EPDM or FKM / O-ring: EPDM o FKM Ball seats: PTFE / Tenute della sfera: PTFE
TEMPERATURE RANGE / TEMPERATURA	0°C ÷ 100°C
COUPLING STANDARDS / GIUNZIONI	Metric female ends for socket fusion / Manicotti metrici per saldatura a bicchiere BSPP threaded sockets / Manicotti filettati BSPP
CONTROL OPTIONS / OPZIONI DI COMANDO	Hand-operated / Manuale Electrically actuated / Comando elettrico Pneumatically actuated / Comando pneumatico



Certifications and approvals: only for items declared on Official Listing or certificates. / Certificazioni: solo per gli articoli dichiarati nelle Official Listing o nei certificati stessi.

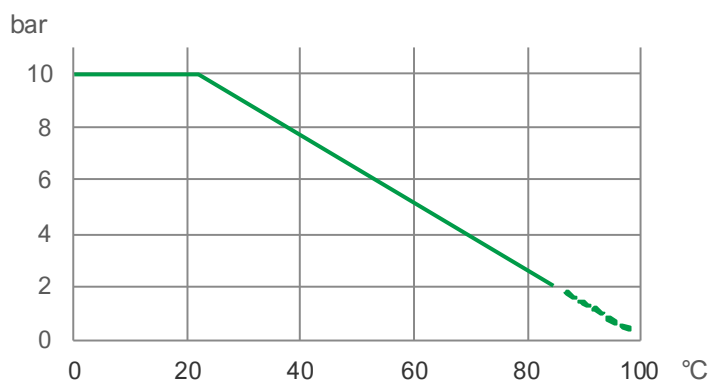
## PP-H Double union ball valves BK1

### PP-H Valvole a sfera radiali BK1

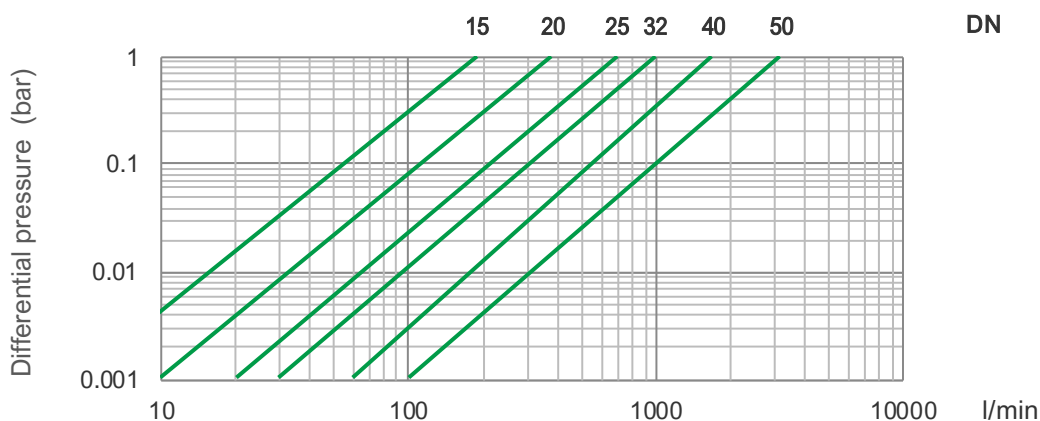
#### Operating pressure / Pressione di esercizio

Maximum operating pressure for PP-H: according to temperature as shown in graph.

Massima pressione di esercizio per il PP-H: secondo quanto indicato nel grafico in figura.



#### Pressure loss / Perdite di carico



#### Flow rate coefficient Kv100 / Coefficiente di flusso Kv100

At  $\Delta p = 1$  bar / Per  $\Delta p = 1$  bar

DN	DN 15	DN 20	DN 25	DN 32	DN 40	DN 50
l/min	190	380	700	1000	1700	3200

#### Torque force at maximum pressure rate / Coppia di chiusura alla massima pressione

DN	DN 15	DN 20	DN 25	DN 32	DN 40	DN 50
Nm	1.5	2	3	5	7	10

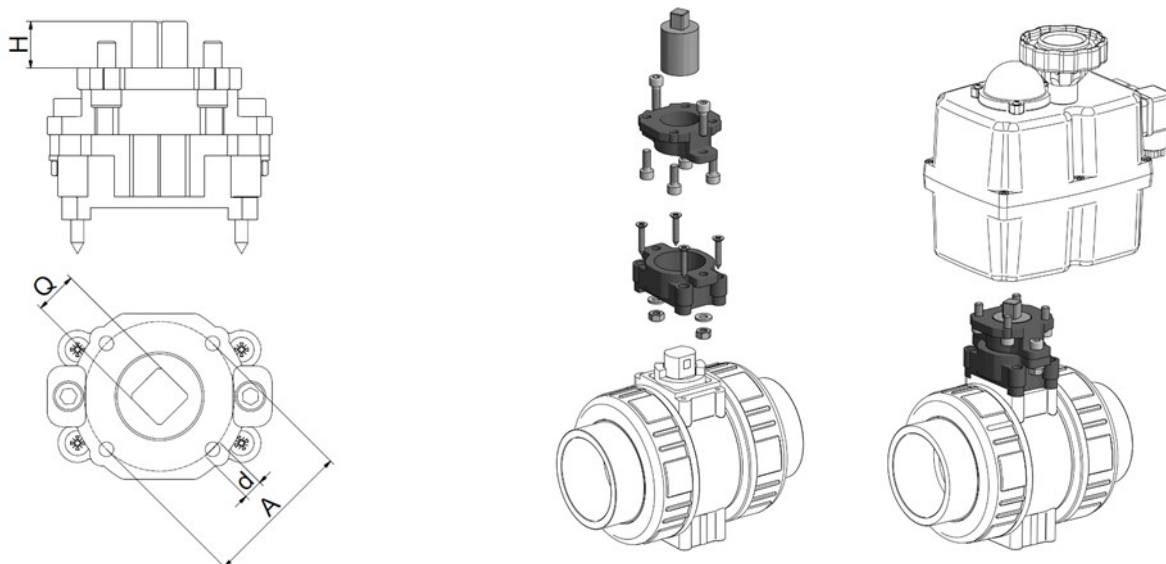
## PP-H Double union ball valves BK1

### PP-H Valvole a sfera radiali BK1

#### Actuation / Attuazione

BK1 ball valve can be actuated with standard electric or pneumatic actuators using the dedicated kit (ref. code BDRKITB1). The mounting flange is drilled according to standard ISO 5211.

La valvola a sfera BK1 può essere automatizzata mediante attuatore elettrico o pneumatico usando il kit dedicato (rif. codice BDRKITB1). La flangia di accoppiamento è forata secondo lo standard ISO 5211.



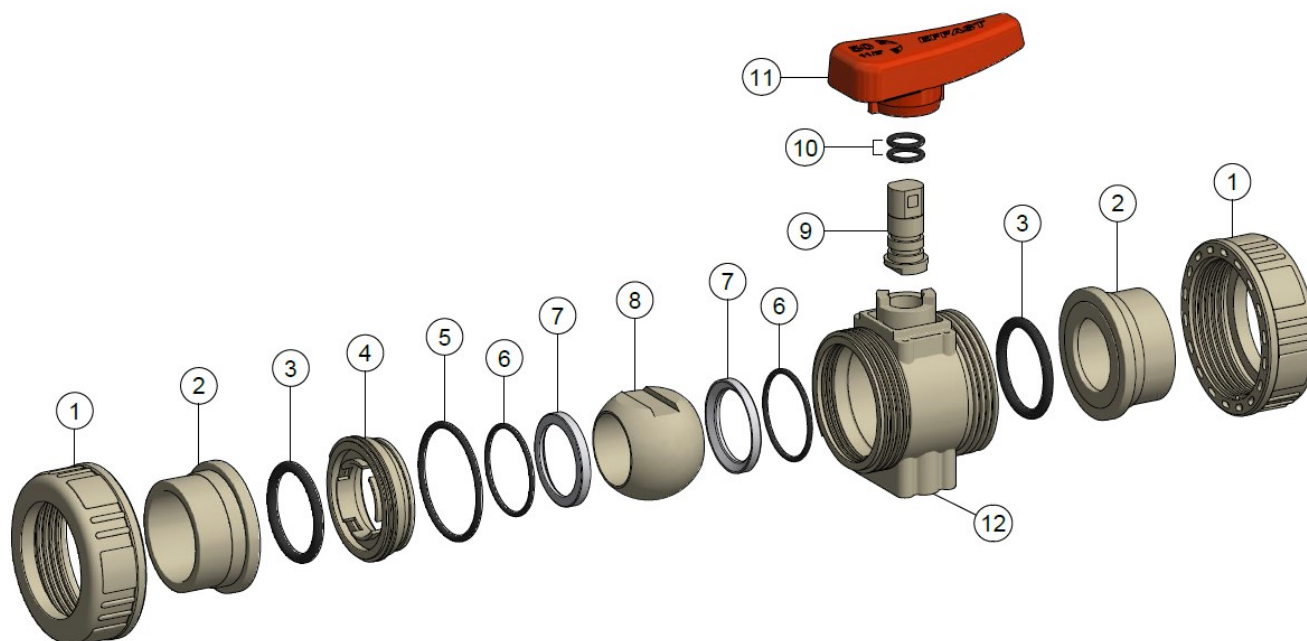
DN	d (mm)	d (in)	ISO 5211	A	d	Q	H
15	20	1/2"	F05	50	M6	14*	16
20	25	3/4"	F05	50	M6	14*	16
25	32	1"	F05	50	M6	14*	16
32	40	1"1/4	F05	50	M6	14*	16
40	50	1"1/2	F05	50	M6	14*	16
50	63	2"	F05	50	M6	14*	16

\*) Square 11 on request / Quadro 11 a richiesta \*\*\*) Square 14 on request / Quadro 14 a richiesta

## PP-H Double union ball valves BK1

### PP-H Valvole a sfera radiali BK1

#### Components / Componenti



n.	COMPONENT	MATERIAL	Qty
1	Nut / Ghiera	PP-H	2
2	Socket / Manicotto	PP-H	2
3	Socket O-ring / O-ring manicotto	EPDM/FKM	2
4	Gasket carrier / Supporto guarnizioni	PP-H	1
5	Body O-ring / O-ring corpo	EPDM/FKM	1
6	Ball seat O-ring / O-ring tenute	EPDM/FKM	2

n.	COMPONENT	MATERIAL	Qty
7	Ball seat / Tenuta sfera	PTFE	2
8	Ball / Sfera	PP-H	1
9	Stem / Asta	PP-H	1
10	Stem O-ring / O-ring asta	EPDM/FKM	2
11	Handle / Maniglia	PVC-U	1
12	Body / Corpo	PP-H	1

All descriptions and illustrations in this publication are intended for guidance only and shall not constitute a 'sale by description'. All dimensions given are nominal, while changes can be done on the information, products and specifications from time to time for a variety of reasons, without prior notice. The information in this publication is provided 'as is' on the revision date stated on the sheet. Updates will not be issued automatically. This information is not intended to have any legal effect, whether by way of advice, representation or warranty (express or implied). We accept no liability whatsoever (to the extent permitted by law) if you place any reliance on this publication you must do so at your own risk. All rights reserved. Copyright in this publication belongs to Polypipe Italia and all such copyright may not be used, sold, copied or reproduced in whole or part in any manner in any media to any person without prior consent. **EFFAST** is a registered trademark."