

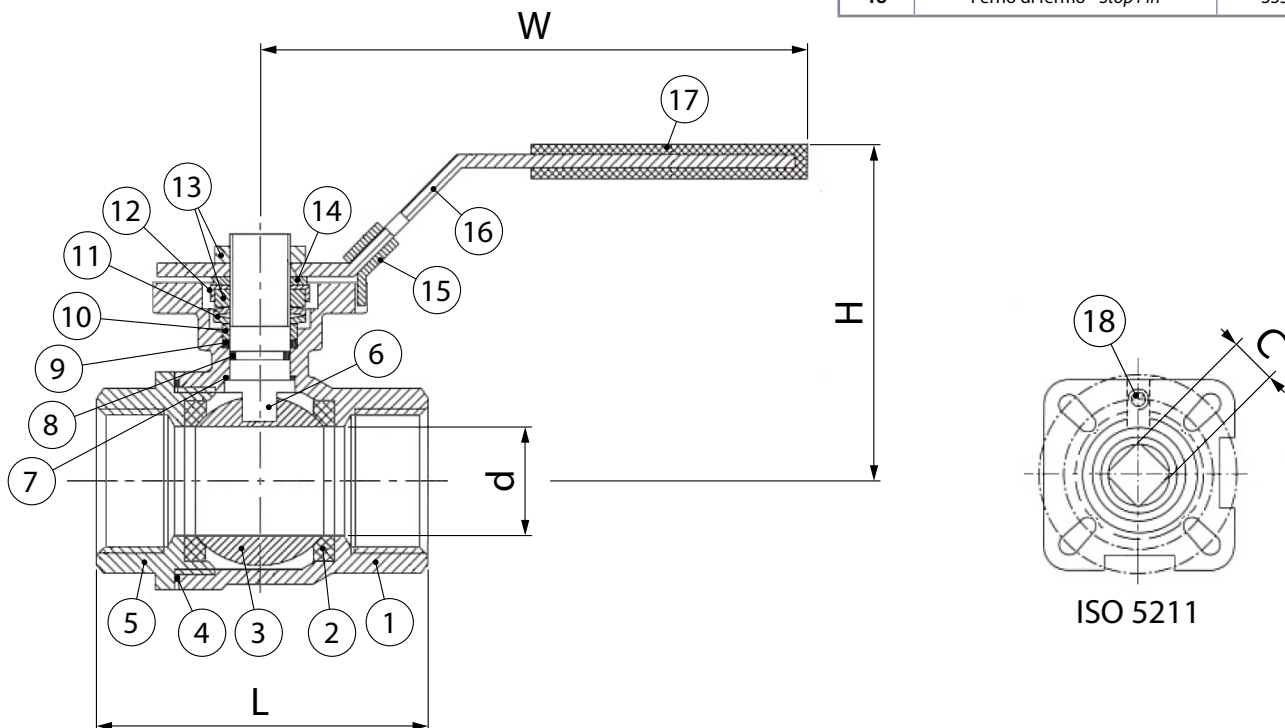
- Valvola a sfera a passaggio totale in acciaio inox AISI 316
Attacchi F/F - Flangia ISO 5211
- AISI 316 stainless steel full bore ball valve
Threaded ends F/F - ISO 5211 mounting plate
- Kugelhahn mit vollem Durchgang aus Edelstahl AISI 316
IG/IG - Flanschplatte ISO 5211
- Vanne à boisseau sphérique à passage intégral en acier inox
AISI 316 - fixations F/F - platine ISO 5211
- Кран шаровой полнопроходной из нержавеющей стали
AISI 316 - соединения В/В - фланец ISO 5211



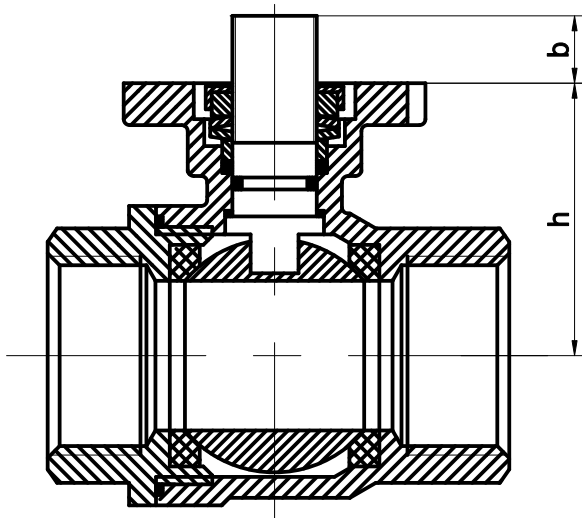
DIMENSIONI - DIMENSIONS (mm)

DN	d	L	H	W	C	ISO 5211	N/m	Kgs
1/4"	11.5	56	65	115	9	F03	5	0.37
3/8"	12.5	56	65	115	9	F03	5	0.35
1/2"	15	57	65	117	9	F03/F04	5	0.37
3/4"	20	64	70	117	9	F03/F04	8	0.49
1"	25	77	75	134	11	F04/F05	10	0.74
1"1/4	32	90	85	134	11	F04/F05	14	1.18
1"1/2	40	105	95	203	14	F05/F07	18	1.94
2"	50	125	105	203	14	F05/F07	25	2.90
2"1/2	65	153	140	255	17	F07/F10	48	5.77
3"	76	172	145	255	17	F07/F10	75	8.45
4"	94	221	175	302	17	F07/F10	110	15.60

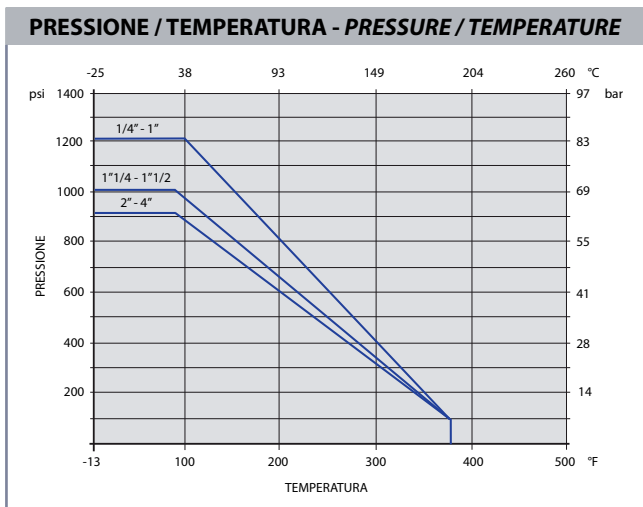
ITEM	PART NAME	MATERIAL	QTY
1	Corpo - Body	CF8M	1
2	Seggio Sfera - Ball Seat	R-PTFE (15%)	2
3	Sfera - Ball	SS316	1
4	Guarnizione Corpo - Body Gasket	PTFE	1
5	Manicotto - Body End	CF8M	1
6	Asta - Stem	SS316	1
7	Rondella - Thrust Washer	PTFE	1
8	O-Ring	VITON	1
9	Guarnizione Asta - Stem Packing	PTFE	1
10	Anello Asta - Stem Ring	SS316	1
11	Rondella - Washer	SS301	2
12	Dado di fermo - Nut Stopper	SS304	1
13	Dado - Nut	SS304	2
14	Rondella - Plate Washer	SS304	1
15	Dispositivo di blocco - Lock Device	SS304	1
16	Leva - Handle	SS304	1
17	Rivestimento Plastico - Plastic Cover	PLASTIC	1
18	Perno di fermo - Stop Pin	SS304	1



ISO 5211



DN	h	b
1/4"	37	8.7
3/8"	37	8.7
1/2"	37	8.7
3/4"	42.2	8.8
1"	45.5	10.7
1"1/4	54	10.5
1"1/2	59.5	14
2"	67.5	13.5
2"1/2	93	18.5
3"	109	17.5
4"	121	20.5



DN	Pressure (bar)
1/4" - 1"	84 bar
1"1/4 - 1"1/2	70 bar
2" - 4"	63 bar

Max
 +180° C
 Min
 -25° C

UNI-ISO 228/1

ASTA ANTISCOPPIO
ANTI BLOW-OUT STEM



NON ADATTA PER USO ALIMENTARE
NOT SUITABLE FOR FOOD CONTACT