

Ball Valve, Stainless steel

Construction

GEMÜ 711, 728 and 751 are 3-piece 2/2-way stainless steel ball valves with top flange EN ISO 5211 in sizes 1/4" to 4" (DN 8 to DN 100). The top flange enables both pneumatic and electric actuators to be mounted.

GEMÜ K715 is the ball valve body without actuator for GEMÜ 711, 751 and 728

GEMÜ 711 is manually operated and has a plastic sleeved hand lever with a locking device.

GEMÜ 751 is operated by a low maintenance, pneumatic piston actuator in single acting (spring return) or double acting design. The actuator has a robust Alodur coated aluminium housing. An integral optical position indicator as standard.

GEMÜ 728 has a low maintenance electric actuator with a powerful DC motor. The reduction gear in the motor provides the rotation through 90°. The actuator has an optical position indicator and a manual override as standard.

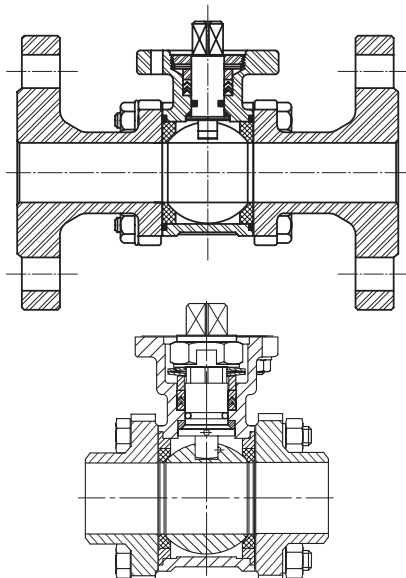
Features

- Suitable for inert, corrosive*, liquid and gaseous media and steam
- Suitable for vacuum applications
- The ball valves comply with the safety requirements of Annex I of the European Pressure Equipment Directive 2014/68/EU (PED) for fluids of groups 1 and 2
- Compliance with the technical requirements of TA Luft (German Clean Air Act) 2002 Sec. 5.2.6.4 VDI 2440 Nov. 2000, Sec. 3.3.1.3
- ATEX version II 2G/2D ATEX 2014/34/EU on request
- Blow-out proof shaft
- Relief bore hole

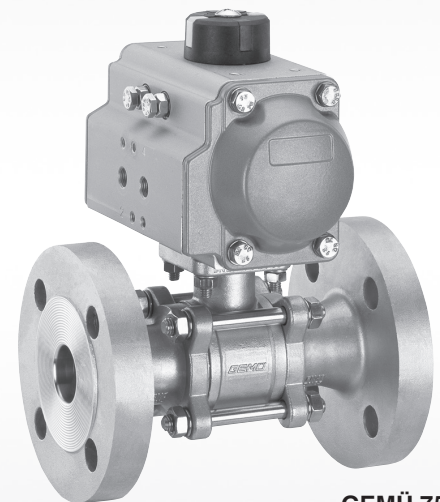
*see information on working medium on page 2



Sectional drawing



GEMÜ 711



GEMÜ 751



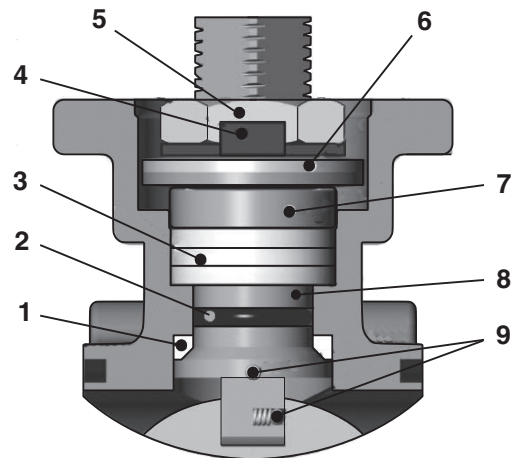
GEMÜ 728

Product description

The spindle seal system

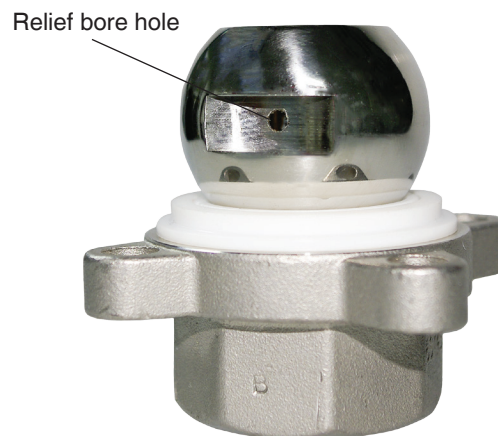
Long service life due to threefold spindle seal, TA-Luft compliant

- Conical spindle seal:
The seal **1** arranged at an angle of 45° effectively prevents the leakage of medium when operating the spindle.
- O-ring:
Stabilising spindle seal **2** with low wear and long service life
- Pretensioned, self-adjusting spindle seal:
The spindle packing consists of several V-rings **3**, a spring washer **6** and a stainless steel sleeve **7**.
The spring washer **6** is pretensioned via the spindle nut **5**.
The pretension force is distributed to the V-rings **7** via the stainless steel sleeve **3** thus preventing the leakage of media. The pretension provides low maintenance and reliable spindle sealing even after a long service life.



Part list

- 1 Conical spindle seal (PTFE)
- 2 O-ring (FPM), other materials on request
- 3 V-rings (PTFE)
- 4 Lock washer (1.4301), secures the nut thus holding the valve spindle in position
- 5 Spindle nut (1.4301)
- 6 Spring washer (1.4310)
- 7 Stainless steel sleeve (1.4301)
- 8 Valve spindle (1.4401), the machined spindle surface reduces the friction at the spindle, reduces the actuation forces (torque) and minimizes wear
- 9 Antistatic device (1.4401), spindle ball



General technical data

Working medium

Corrosive, inert, gaseous and liquid media and steam, which have no negative impact on the physical and chemical properties of the body and seal material.

Maximum permissible pressure of the working medium see diagram
(for water and non-hazardous media to which the body material is resistant)

Maximum permissible operating temperature 180 °C

Maximum permissible ambient temperature -20...60 °C

Leakage rate

Leakage rate to ANSI FCI70 – B16.104

Leakage rate A to EN12266, 6bar air

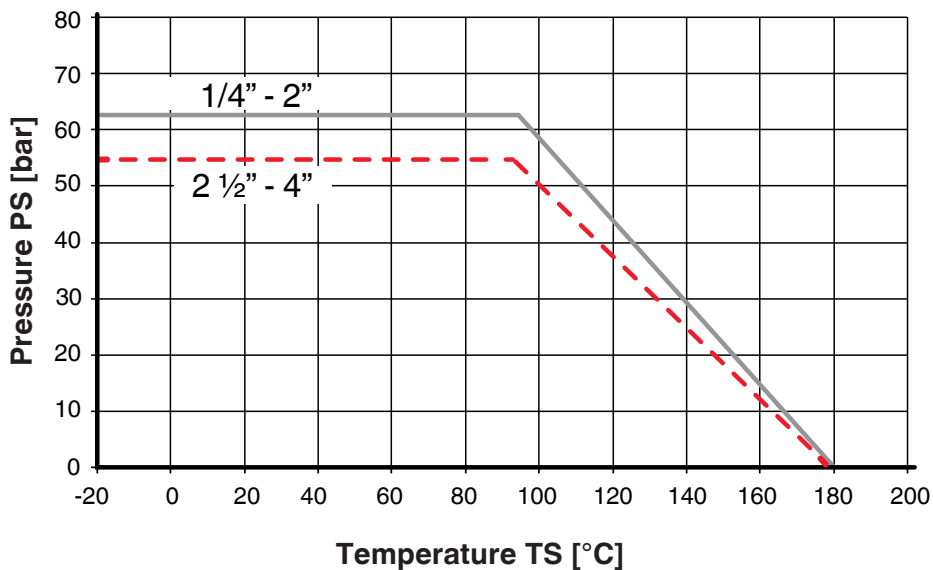
Control medium (only GEMÜ 751)

Control pressure 6 - 8 bar

Max. perm. temperature of control medium 60 °C

Nominal size	Torque	NPS	Kv values	Weight	
				Ball valve without operator [kg]	
DN	[Nm]		[m ³ /h]	Threaded sockets/ Butt weld spigots	Flanges
8	7	1/4"	6	0.35	-
10	7	3/8"	7	0.40	-
15	7	1/2"	13	0.65	2.45
20	8	3/4"	34	0.80	3.50
25	14	1"	60	1.20	4.70
32	20	1 1/4"	94	1.95	5.90
40	29	1 1/2"	213	2.75	7.80
50	39	2"	366	4.50	11.3
65	59	2 1/2"	595	8.90	16.9
80	91	3"	935	12.9	23.9
100	124	4"	1700	22.5	34.9

Pressure-temperature diagram



Order data - GEMÜ 711 - without actuator

1 Type	Code
Ball valve 3-piece with top flange	K715

5 Valve body material	Code
Body: CF8M / 1.4408 Ball: SS316, for DN 8 - 15, CF8M for DN 20 - 100	37

2 Nominal size	Code
DN 8 - 100	8 - 100

6 Seat material*	Code
PTFE	5
* Spindle seal in FPM (other materials on request)	

3 Body configuration	Code
Straight through (2/2-way)	D

4 Connection	Code
Threaded sockets DIN ISO 228	1
Threaded sockets NPT	31
Spigots DIN 11850, serie 2	17
Spigots DIN EN 12627, length DIN 3202-5, S13	19
Spigots SMS 3008	37
Spigots ASME BPE	59
Spigots EN ISO 1127	60
Flanges EN 1092 / PN16 / form B, length EN 558, series 1, ISO 5752, basic series 1	8
Flanges EN 1092 / PN40 / form B, length EN 558, series 1, ISO 5752, basic series 1	11
Flanges ANSI Class 150 RF	39
Welded sockets DIN EN 12760	2A
For availability see overview on last page	

Order example	1	2	3	4	5	6
Code	K715	25	D	1	37	5

Order data - GEMÜ 711 - manually operated

1 Type	Code
Ball valve with hand lever	711

2 Nominal size	Code
DN 8 - 100	8 - 100

3 Body configuration	Code
Straight through (2/2-way)	D

4 Connection	Code
Threaded sockets DIN ISO 228	1
Threaded sockets NPT	31
Spigots DIN 11850, serie 2	17
Spigots DIN EN 12627, length DIN 3202-5, S13	19
Spigots SMS 3008	37
Spigots ASME BPE	59
Spigots EN ISO 1127	60
Flanges EN 1092 / PN16 / form B, length EN 558, series 1, ISO 5752, basic series 1	8
Flanges EN 1092 / PN40 / form B, length EN 558, series 1, ISO 5752, basic series 1	11
Flanges ANSI Class 150 RF	39
Welded sockets DIN EN 12760	2A
For availability see overview on last page	

5 Valve body material	Code
Body: CF8M / 1.4408 Ball: SS316, for DN 8 - 15, CF8M for DN 20 - 100	37

6 Seat material*	Code
PTFE	5
* Spindle seal in FPM (other materials on request)	

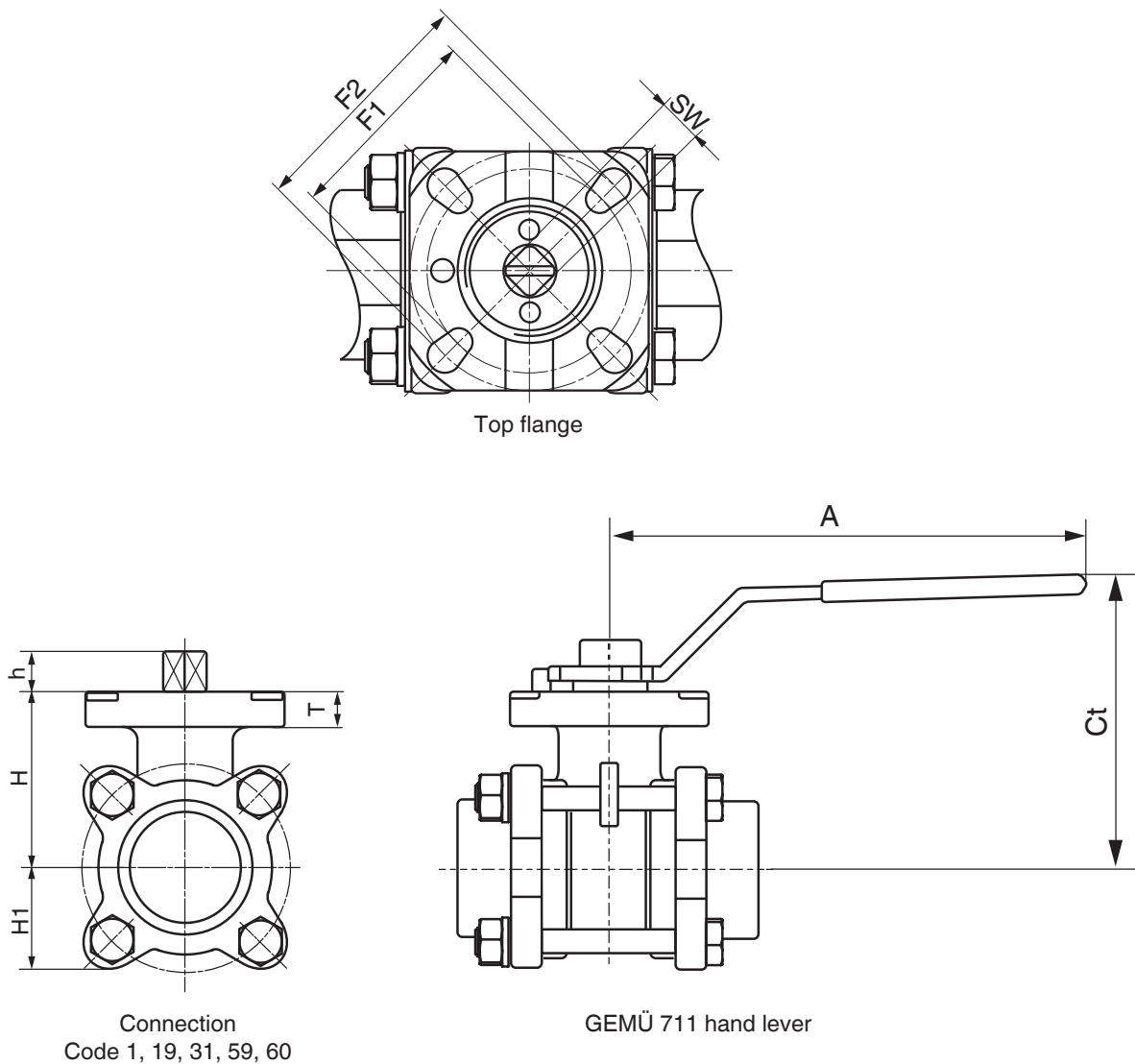
7 Control function	Code
Manually operated with lockable hand lever	L

Order example	1	2	3	4	5	6	7
Code	711	15	D	1	37	5	L

Body dimensions [mm]

All versions											GEMÜ 711		
DN	Top flange						Hand lever						
	F1		F2*		SW	H	H1	h ±0,5	T	A	Ct	Weight [kg]	
8	F03	36	Ø6x4	F04	Ø 6x4	9	42.1	23.3	6.4	5	139	77	0.140
10	F03	36	Ø6x4	F04	Ø 6x4	9	42.1	23.3	6.4	5	139	77	0.140
15	F03	36	Ø6x4	F04	Ø 6x4	9	42.1	23.3	6.4	5	139	77	0.140
20	F03	36	Ø6x4	F04	Ø 6x4	9	48.0	25.4	6.9	5	139	83	0.140
25	F04	42	Ø6x4	F05	Ø 7x4	11	56.6	28.3	11.2	7	165	96	0.200
32	F04	42	Ø6x4	F05	Ø 7x4	11	60.9	34.5	11.2	7	165	100	0.200
40	F05	50	Ø7x4	F07	Ø 9x4	14	77.5	39.3	14.2	10	215	127	0.372
50	F05	50	Ø7x4	F07	Ø 9x4	14	85.2	47.3	14.2	10	215	134	0.372
65	F07	70	Ø9x4	F10	Ø 11x4	17	108.7	58.5	17.1	10	300	167	0.716
80	F07	70	Ø9x4	F10	Ø 11x4	17	117.7	69.0	18.1	10	370	176	0.874
100	F07	70	Ø9x4	F10	Ø 11x4	17	132.6	95.4	17.1	10	370	192	0.874

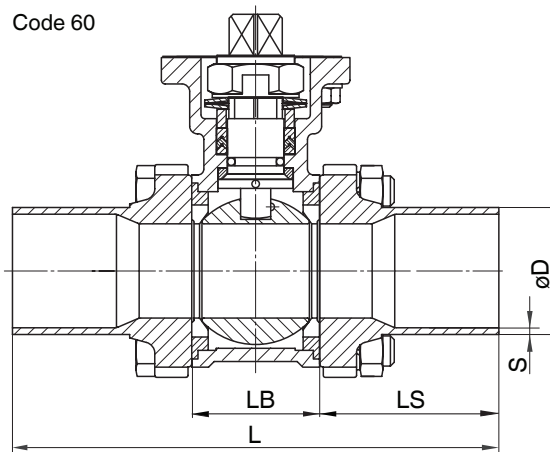
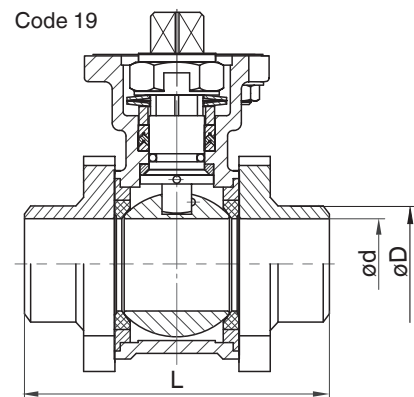
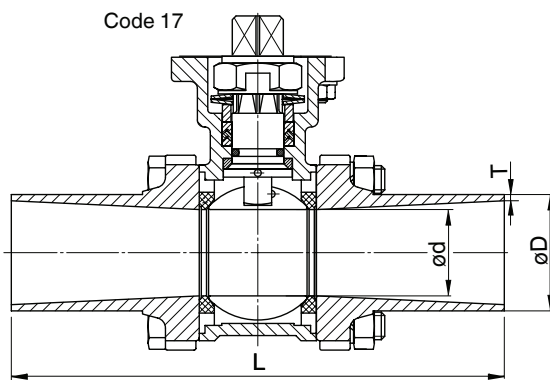
* Standard



Body dimensions [mm]

Spigots Iso

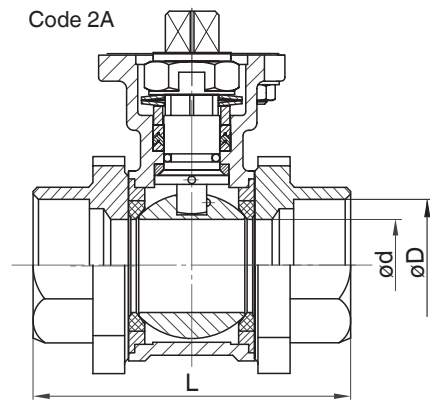
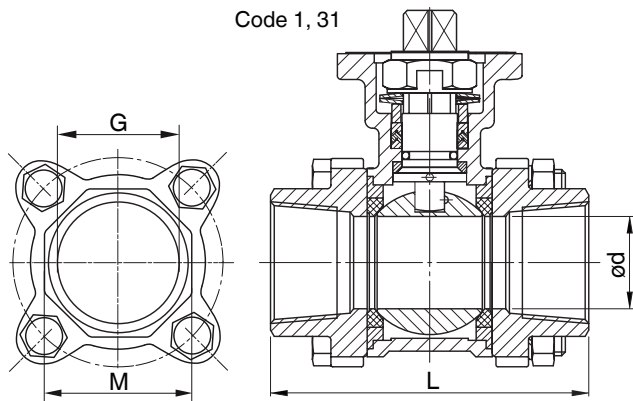
DN	Code 17				Code 19			Code 60				
	L	øD	ød	T	L	øD	ød	L	LB	LS	øD	s
8	-	-	-	-	60	16.2	11.6	120.2	23.6	48.3	13.5	1.6
10	120.2	13	10	1.5	60	17.5	12.7	120.2	23.6	48.3	17.2	1.6
15	140.2	19	15	1.5	75	22.7	16.0	140.2	23.6	58.3	21.3	1.6
20	140.0	23	20	1.5	80	27.5	20.0	140.0	28.0	56.0	26.9	1.6
25	152.2	29	25	1.5	90	34.0	25.0	152.2	33.9	59.2	33.7	2.0
32	165.1	35	32	1.5	110	42.7	32.0	165.1	42.5	61.3	42.4	2.0
40	190.4	41	38	1.5	120	48.6	38.0	190.4	53.2	68.8	48.3	2.0
50	203.0	53	50	1.5	140	60.5	50.0	203.0	64.6	69.2	60.3	2.0
65	254.0	70	65	2.0	185	76.3	65.0	254.0	87.0	83.5	76.1	2.0
80	280.2	85	80	2.0	205	90.0	80.0	280.2	99.0	90.6	88.9	2.3
100	317.0	104	100	2.0	240	116.0	100.0	317.0	127.0	95.0	114.3	2.3



Body dimensions [mm]

Threaded sockets ISO. NPT (Code 1. 31) / Welded sockets DIN EN 12760 (Code 2A)

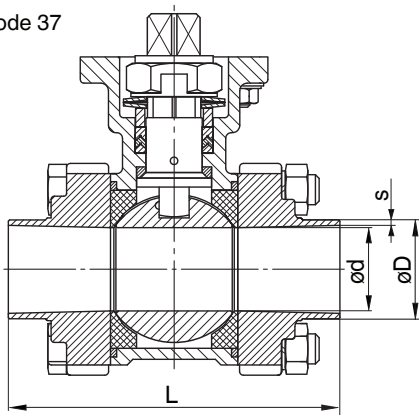
DN	G	M	ød	øD	L
8	1/4"	21.4	11.6	14.3	60
10	3/8"	21.4	12.7	17.6	60
15	1/2"	26.0	15.0	21.9	75
20	3/4"	32.0	20.0	27.3	80
25	1"	40.0	25.0	33.9	90
32	1 1/4"	52.0	32.0	42.8	110
40	1 1/2"	57.0	38.0	48.9	120
50	2"	70.0	50.0	61.3	140
65	2 1/2"	86.0	65.0	ANSI 74, PN 76.9	185
80	3"	100.0	80.0	90.0	205
100	4"	130.5	100.0	115.5	240



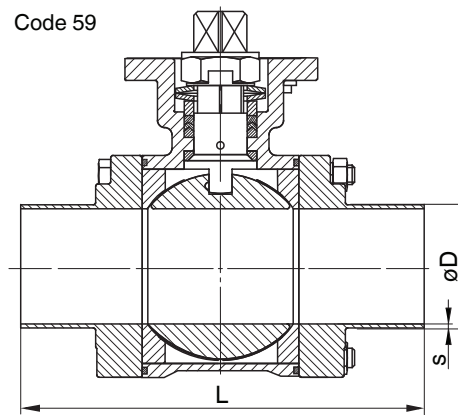
Body dimensions [mm]

DN	Spigots SMS 3008 (Code 37)				Spigots ASME (Code 59)		
	L	øD	ød	s	L	øD	s
15	-	-	-	-	139.8	12.7	1.65
20	75.0	18.0	16.0	1.0	146.0	19.0	1.63
25	94.2	25.0	22.2	1.2	158.7	25.4	1.60
40	114.7	38.0	34.9	1.2	190.6	38.1	1.60
50	128.0	51.0	47.5	1.2	216.0	50.8	1.65
65	160.0	63.5	60.3	1.6	247.6	63.5	1.60
80	176.2	76.1	72.9	1.6	266.8	76.2	1.60
100	210.0	101.6	97.6	2.0	317.6	101.6	2.10

Code 37



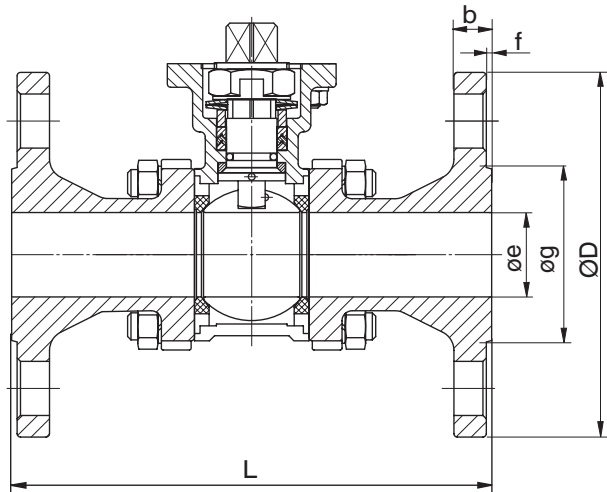
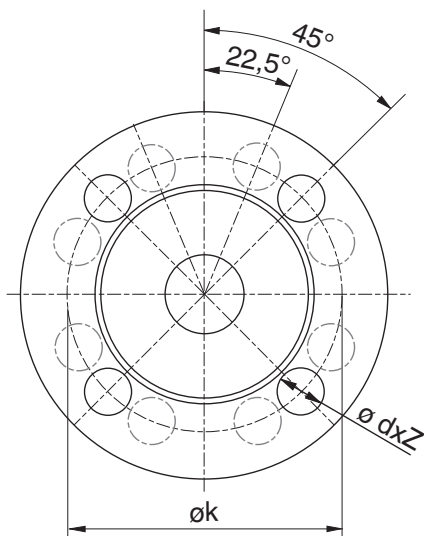
Code 59



Body dimensions [mm]

DN	Flanges ANSI Class 150 RF							Flanges EN 1092													
	Code 39							PN 16, 40				PN 16					PN 40				
								Code 8, 11				Code 8					Code 11				
	øe	f	b	øg	øk	øD	L	øe	f	L	Z	b	ød	øD	øg	øk	b	ød	øD	øg	øk
15	15	1.6	11.2	35.1	60.5	88.9	127	15	2	130	4	-	-	-	-	-	16	14	95	45	65
20	20	1.6	11.2	42.9	69.9	98.6	140	20	2	150	4	-	-	-	-	-	18	14	105	58	75
25	25	1.6	11.5	50.8	79.2	108.0	154	25	2	160	4	-	-	-	-	-	18	14	115	68	85
32	32	1.6	13.1	63.5	88.9	117.3	172	32	2	180	4	-	-	-	-	-	18	18	140	78	100
40	38	1.6	14.6	73.2	98.6	127.0	186	38	3	200	4	-	-	-	-	-	18	18	150	88	110
50	50	1.6	15.9	91.9	120.7	152.4	214	50	3	230	4	-	-	-	-	-	20	18	165	102	125
65	65	1.6	17.6	104.6	139.7	177.8	245	65	3	290	4* / 8	18	18	185	122	145	22	18	185	122	145
80	80	1.6	19.1	127.0	152.4	190.5	262	80	3	310	8	20	18	200	138	160	24	18	200	138	160
100	100	1.6	23.9	157.2	190.5	228.6	348	100	3	350	8	20	18	220	158	180	24	22	235	162	190

*on request



Order data - GEMÜ 751 - pneumatically operated

1 Type	Code
Ball valve with pneumatic actuator	751

2 Nominal size	Code
DN 8 - 100	8 - 100

3 Body configuration	Code
Straight through (2/2-way)	D

4 Connection	Code
Threaded sockets DIN ISO 228	1
Threaded sockets NPT	31
Spigots DIN 11850, serie 2	17
Spigots DIN EN 12627, length DIN 3202-5, S13	19
Spigots SMS 3008	37
Spigots ASME BPE	59
Spigots EN ISO 1127	60
Flanges EN 1092 / PN16 / form B, length EN 558, series 1, ISO 5752, basic series 1	8
Flanges EN 1092 / PN40 / form B, length EN 558, series 1, ISO 5752, basic series 1	11
Flanges ANSI Class 150 RF	39
Welded sockets DIN EN 12760	2A
For availability see overview on last page	

5 Valve body material	Code
Body: CF8M / 1.4408 Ball: SS316, for DN 8 - 15, CF8M for DN 20 - 100	37

6 Seat material*	Code
PTFE	5
* Spindle seal in FPM (other materials on request)	

7 Control function	Code
Normally closed (NC)	1
Normally open (NO)	2
Double acting (DA)	3

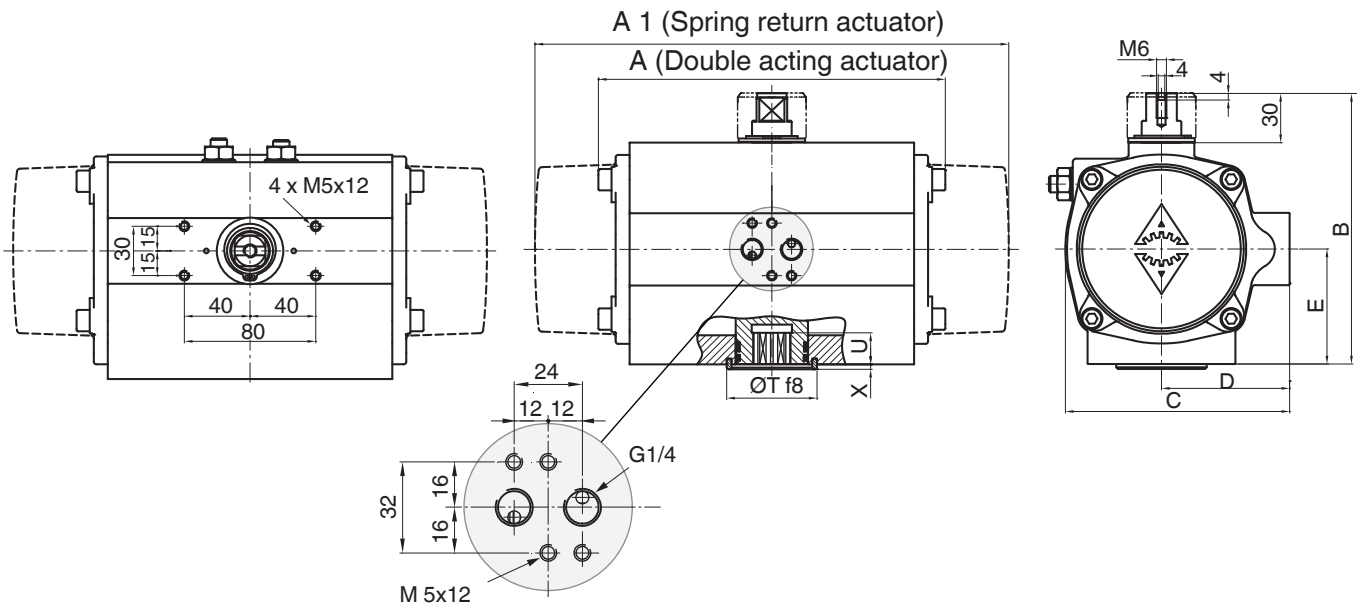
8 Actuator size		Code
DN	Single acting SC	
DN 8	SC0015U 8 F04NS11A	SU01VO0
DN 10	SC0015U 8 F04NS11A	SU01VO0
DN 15	SC0015U 8 F04NS11A	SU01VO0
DN 20	SC0030U 6 F04NS11A	SU03KO0
DN 25	SC0060U 6 F05F07NS14A	SU06KP0
DN 32	SC0060U 6 F05F07NS14A	SU06KP0
DN 40	SC0100U 6 F05F07NS17A	SU10KC0
DN 50	SC0150U 6 F07F10NS17A	SU15KC0
DN 65	SC0220U 6 F07F10NS22A	SU22KD0
DN 80	SC0300U 6 F07F10NS22A	SU30KD0
DN 100	SC0450U 6 F10F12NS27A	SU45KG0
	Double acting DR	
DN 8	DR0015U F04NS11A	DU01AO0
DN 10	DR0015U F04NS11A	DU01AO0
DN 15	DR0015U F04NS11A	DU01AO0
DN 20	DR0015U F04NS11A	DU01AO0
DN 25	DR0030U F05F07NS14A	DU03AP0
DN 32	DR0030U F05F07NS14A	DU03AP0
DN 40	DR0060U F05F07NS17A	DU06AC0
DN 50	DR0060U F05F07NS17A	DU06AC0
DN 65	DR0100U F05F07NS17A	DU10AC0
DN 80	DR0150U F07F10NS22A	DU15AD0
DN 100	DR0220U F07F10NS22A	DU22AD0
DN	Single acting ASR	
DN 8	ASR0020U S08 F04YS14/S11A	AU02FA0
DN 10	ASR0020U S08 F04YS14/S11A	AU02FA0
DN 15	ASR0020U S08 F04YS14/S11A	AU02FA0
DN 20	ASR0040U S14 F04YS14/S11A	AU04KA0
DN 25	ASR0040U S14 F05YS14/S11A	AU04KB0
DN 32	ASR0080U S14 F05F07YS17/S14A	AU08KC0
DN 40	ASR0080U S14 F05F07YS17/S14A	AU08KC0
DN 50	ASR0130U S14 F05F07YS17/S14A	AU13KC0
DN 65	ASR0200U S14 F07F10YS17/S14A	AU20KE0
DN 80	ASR0300U S14 F07F10YS22A	AU30KD0
DN 100	ASR0500U S14 F10YS22A	AU50KF0
	Double acting ADA	
DN 8	ADA0020U F04YS11A	BU02AA0
DN 10	ADA0020U F04YS11A	BU02AA0
DN 15	ADA0020U F04YS11A	BU02AA0
DN 20	ADA0020U F04YS11A	BU02AA0
DN 25	ADA0020U F04YS11A	BU02AA0
DN 32	ADA0040U F05YS14/S11A	BU04AB0
DN 40	ADA0040U F05YS14/S11A	BU04AB0
DN 50	ADA0080U F05F07YS17/S14A	BU08AC0
DN 65	ADA0080U F05F07YS17/S14A	BU08AC0
DN 80	ADA0130U F05F07YS17/S14A	BU13AC0
DN 100	ADA0200U F07F10YS17/S14A	BU20AE0

9 K number	Code
Thermal separation by mounting kit Mounting kit (galvanised steel), coupling (1.4305)	5222
Thermal separation by mounting kit Mounting kit and mounting parts in stainless steel	5227
For operating temperatures > 100 °C a mounting kit with an adapter is required between ball valve and actuator!	

Order example	1	2	3	4	5	6	7	8	9
Code	751	15	D	1	37	5	1	SU01KO0	5222

Actuator dimensions - GEMÜ 751 - pneumatically operated

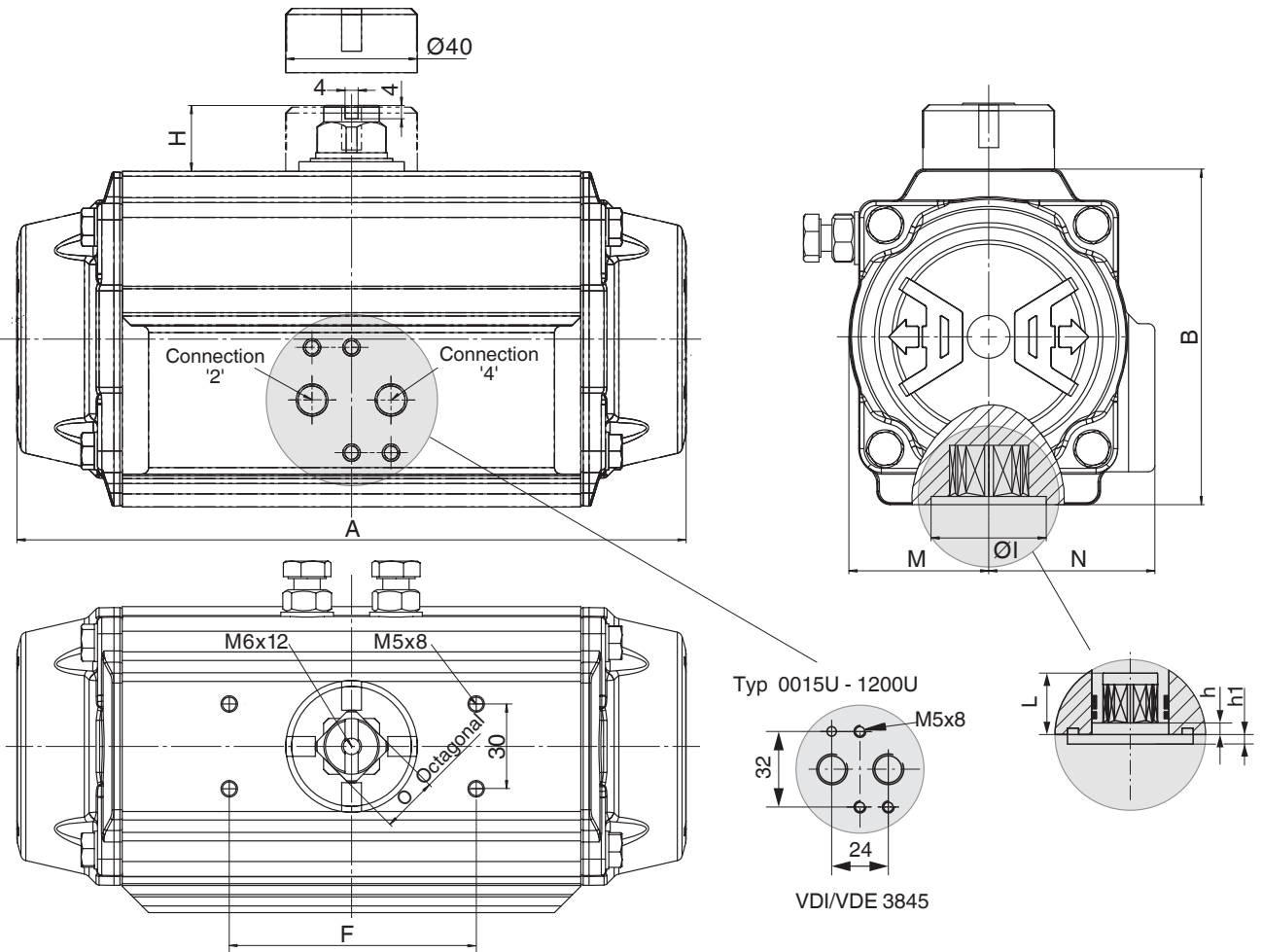
Actuator ADA/ASR [mm]



ADA/ASR	0020U		0040U		0080U	0130U	0200U	0300U	0500U	
ISO 5211	F03/F05	F04	F05	F04	F05	F05	F05	F07	F07	F10
Octagonal	9	14		14	17	17	17	22	22	
Air connector		G $\frac{1}{4}$		G $\frac{1}{4}$	G $\frac{1}{4}$	G $\frac{1}{4}$	G $\frac{1}{4}$	G $\frac{1}{4}$	G $\frac{1}{4}$	G $\frac{1}{4}$
A		145		158	177	196	225	273	304	
A1		163		195	217	258	299	348.5	397	
B		96		115	137	147	165	182	199	
C		76		91	111	122	135.5	152.5	173	
D		48		56	66	71	78	86	96	
E		34		45	55	60	70	80	85	
ØT	25	35		35	55	55	55	70	70	
U	10	12		12	19	22	23	24	32	
Weight [kg]										
ADA		1.4		2.1	3.0	3.8	5.6	8.5	11.2	
ASR		1.5		2.3	3.7	4.8	7.3	10.8	15.4	

Actuator dimensions - GEMÜ 751 - pneumatically operated

Actuator DR/SC [mm]



Stroke limiter on request

Typ	0015U	0030U	0060U	0100U	0150U	0220U	0300U	0450U
ISO Flange	F04	F04/05	F05/07	F05/07	F07/10	F07/10	F07/10	F10/12
Octagonal	11	14	14	17	17	22	22	27
Air Connector	G 1/8	G 1/8	G 1/8	G 1/8	G 1/4	G 1/4	G 1/4	G 1/4
A	136.0	153.5	203.5	241.0	259.0	304.0	333.0	394.5
B	69.0	85.0	102.0	115.0	127.0	145.0	157.0	177.0
H	20	20	20	20	20	30	30	30
Ø I	30	35	35	40	55	55	55	70
M	29.0	36.0	42.5	49.5	55.5	64.0	69.5	80.0
N	43.0	48.5	50.5	56.5	63.0	72.0	77.0	86.0
O	11	11	17	17	17	27	27	27
h	0.5	0.5	0.5	1.5	1.5	1.5	1.5	1.5
h1	1.5	2.0	2.0	1.5	2.0	2.0	2.0	3.0
L	11	11	19	19	19	19	25	32
Weight [kg]								
DR	1.0	1.6	2.7	3.7	5.2	8.0	9.8	14.0
SC	1.1	1.7	3.1	4.3	6.1	9.3	12.0	17.0

Technical data - GEMÜ 728 - motorized

Travel range

Nominal travel range	90°
Max. travel range	93°
Setting range limit switch Min.	-2 to 12°
Setting range limit switch Max.	76 to 91°

Manual override

With Allen key SW3 for actuator version 1015, 2015, 3035
With hand crank for actuator version 2070, 4100, 4200

Permissible temperatures

Ambient temperature	-10 to +60° C
Storage temperature	-20 to +60° C

Weight

Actuator version 1015	1.0 kg
Actuator version 2015	1.2 kg
Actuator version 3035	2.4 kg
Actuator version 2070	4.6 kg
Actuator version 4100, 4200	11.0 kg

Protection class to EN 60529

IP 65

Actuator materials

Actuator version	1015	2015, 3035	2070	4100, 4200
Housing base	PP (30% glass reinforced)	PP (30% glass reinforced)	ABS	Aluminium
Housing cover	PPO (10% glass reinforced)	PP (30% glass reinforced)	ABS	Aluminium
Optical position indicator	PPR natural	PPR natural	PPR natural	PMMA

Correlation Actuator / Ball valve type 728

Ball valve				Actuator version					
DN	Flange type	Torque [Nm]	SW	1015 15 Nm	2015 15 Nm	3035 35 Nm	2070 70 Nm	4100 100 Nm	4200 200 Nm
8	F04	7	9	X	X	-	-	-	-
10	F04	7	9	X	X	-	-	-	-
15	F04	7	9	X	X	-	-	-	-
20	F04	8	9	X	X	-	-	-	-
25	F05	14	11	X	X	X	-	-	-
32	F05	20	11	-	-	X	X*	-	-
40	F07	29	14	-	-	X	X	-	-
50	F07	39	14	-	-	-	X	-	-
65	F10	59	17	-	-	-	X*	-	-
80	F10	91	17	-	-	-	X*	X	-
100	F10	124	17	-	-	-	-	-	X

* Adapter required

Note: For connection and wiring diagrams for motorized GEMÜ actuators see data sheet

Data sheet GEMÜ 9428: Actuator version code 1006, 1015, 2006, 2015, 3035

Data sheet GEMÜ 9468: Actuator version code 2070, 4100, 4200, 6400

Technical data - GEMÜ 728 - motorized

Correlation Actuator version (torque) / Voltage-frequency

Voltage/Frequency		B1 12V DC	C1 24V DC	B4 12V AC	C4 24V AC	G4 120V AC	L4 230V AC	O4 100-250V AC
Actuator version	1015 (15 Nm)	X	X	-	-	-	-	-
	2015 (15 Nm)	-	-	X	X	-	-	X
	3035 (35 Nm)	-	X	-	-	-	-	X
	2070 (70 Nm)	-	X	-	X	X	X	-
	4100 (100 Nm)	-	X	-	X	X	X	-
	4200 (200 Nm)	-	X	-	X	X	X	-

Correlation Actuator version (torque) / Functional module

Functional module		A0	AE	AP	E2	E1	00	0E	0P
Actuator version	1015 (15 Nm)	X	X	-	-	-	-	-	-
	2015 (15 Nm)	X	X	-	-	-	-	-	-
	3035 (35 Nm)	X	X	-	-	-	-	-	-
	2070 (70 Nm)	X	X	X	X	X	X	X	X
	4100 (100 Nm)	X	X	X	X	X	X	X	X
	4200 (200 Nm)	X	X	X	X	X	X	X	X

Power consumption [W]

Voltage/ Frequency		B1 12V DC	C1 24V DC		B4 12V AC	C4 24V AC		G4 120V AC		L4 230V AC		O4 100-250V AC
Functional module		A0,AE,AP E1,E2	A0,AE,AP E1,E2	00,0E 0P	A0,AE,AP E1,E2	A0,AE,AP E1,E2	00,0E 0P	A0,AE,AP E1,E2	00,0E 0P	A0,AE,AP E1,E2	00,0E 0P	A0,AE
Actuator version	1015	24	24	-	-	-	-	-	-	-	-	-
	2015	-	-	-	24	24	-	-	-	-	-	30
	3035	-	24	-	-	-	-	-	-	-	-	30
	2070	-	96	63	-	-	63	160	-	161	-	-
	4100	-	96	105	-	-	140	160	105	161	130	-
	4200	-	96	90	-	-	110	160	90	161	105	-

Electrical connection

Actuator version	1015, 2015, 3035			2070, 4100, 4200				
Supply voltages	12 V / 24 V		100 - 250 V		24 V, 120 V, 230 V			
Functional module	A0, AE			A0, AE, AP	00, 0E, 0P	E1	E2	
Control input voltage	Motor voltage		20 - 250 V AC/DC		24 - 250 V AC/DC	Motor voltage	0 to 10 V	-
Control input current	-		typ. 1 mA		typ. 1 mA			4 to 20 mA
Rating	Continuously rated		rated 40%		Continuously rated			
Connection	Cable connection PG 13,5		Hirschmann plug type Typ N6RFFS11		Flange plug Binder 692/693			
Cable diameter	7.5 ... 12.5 mm		7 ... 9 mm		max. 8 mm			
Max. cross section of wire	1.5 mm ²		1.5 mm ²		0.75 mm ²			
Recommended connection cable	5x1 mm ²		1 connector (standard): 7x1 mm ²		7x1 mm ²			
Overload protection	Motor protective system by customer		Integrated stall and overload protection plus excess current release T 1A 5x20 mm		Motor protective system by customer			

Order data - GEMÜ 728 - motorized

1 Type	Code
Ball valve with motorized actuator	728

2 Nominal size	Code
DN 8 - 100	8 - 100

3 Body configuration	Code
Straight through (2/2-way)	D

4 Connection	Code
Threaded sockets DIN ISO 228	1
Threaded sockets NPT	31
Spigots DIN 11850, serie 2	17
Spigots DIN EN 12627, length DIN 3202-5, S13	19
Spigots SMS 3008	37
Spigots ASME BPE	59
Spigots EN ISO 1127	60
Flanges EN 1092 / PN16 / form B, length EN 558, series 1, ISO 5752, basic series 1	8
Flanges EN 1092 / PN40 / form B, length EN 558, series 1, ISO 5752, basic series 1	11
Flanges ANSI Class 150 RF	39
Welded sockets DIN EN 12760	2A
For availability see overview on last page	

5 Valve body material	Code
Body: CF8M / 1.4408	
Ball: SS316, for DN 8 - 15, CF8M for DN 20 - 100	37

6 Seat material*	Code
PTFE	5
* Spindle seal in FPM (other materials on request)	

7 Voltage/Frequency	Code
12 V DC	B1
12 V AC 50/60Hz	B4
24 V DC	C1
24 V AC 50/60Hz	C4
120 V AC 50/60Hz	G4
100-250 V AC 50/60Hz	O4
230 V AC 50/60Hz	L4

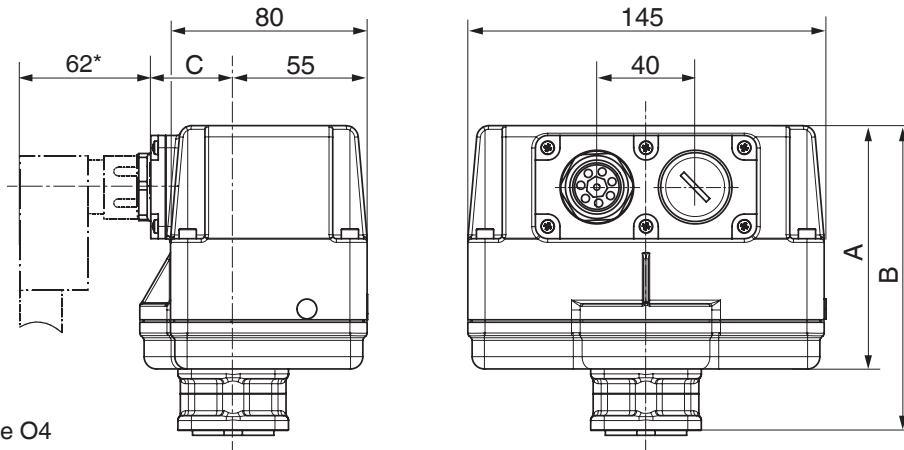
8 Functional module	Code
OPEN / CLOSE control with relay, not reversible	00
OPEN / CLOSE control with 2 additional potential-free limit switches, with relay, not reversible	0E
OPEN / CLOSE control with potentiometer output, with relay, not reversible	0P
Standard OPEN/CLOSE control	A0
OPEN/CLOSE control with 2 additional potential-free limit switches	AE
OPEN/CLOSE control with potentiometer output	AP
Control module for external set value 0-10V DC	E1
Control module for external set value 4-20 mA	E2

9 Actuator version	Code
DN 15 - 25 (Torque 15 Nm) operating time 11 sec; supply voltage B1/C1	1015
DN 15 - 25 (Torque 15 Nm) operating time 11 sec; supply voltage B4/C4/O4	2015
DN 25 - 32 (Torque 35 Nm) operating time 15 sec; supply voltage C1/O4	3035
DN 32 - 65 (Torque 70 Nm) operating time 15 sec; supply voltage C1/C4/G4/L4	2070
DN 80 (Torque 100 Nm) operating time 20 sec; supply voltage C1/C4/G4/L4	4100
DN 100 (Torque 200 Nm) operating time 16 sec; supply voltage C1/C4/G4/L4	4200

Order example	1	2	3	4	5	6	7	8	9
Code	728	25	D	1	37	5	C1	A0	1015

K715,711,728,751

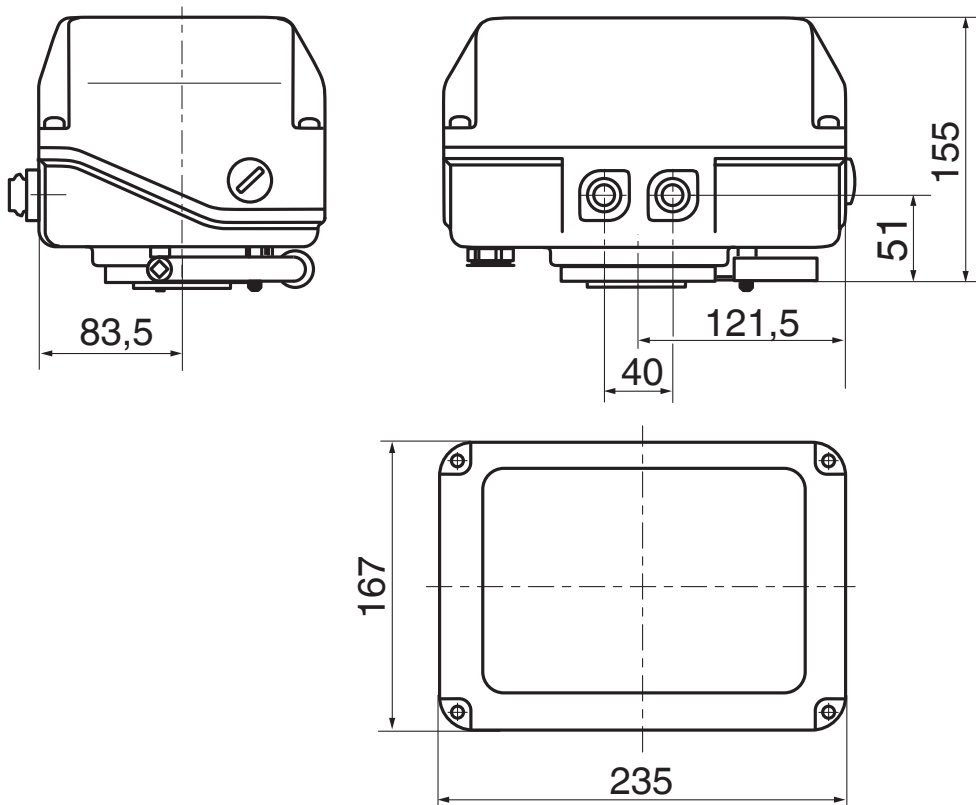
Actuator dimensions - GEMÜ 728 motorized [mm]



* Standard with supply voltage code O4

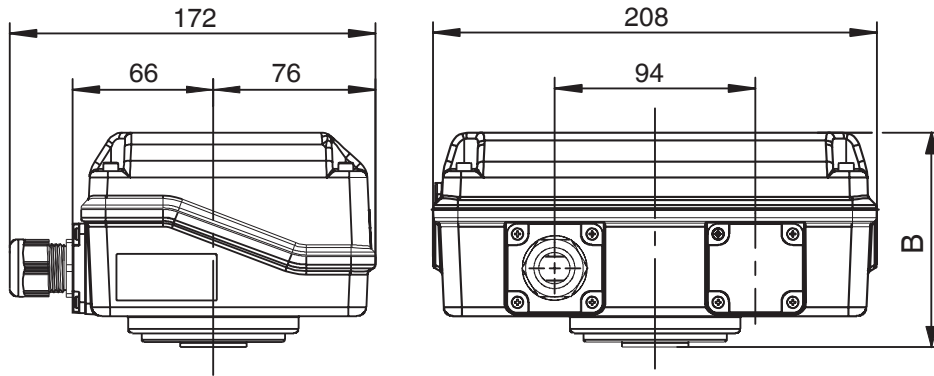
Actuator version 1015					
DN	ISO 5211	SW square drive socket	A	B	C
8 - 20	F04	9	69	94	34
25	F05	11			

Actuator version 2015					
DN	ISO 5211	SW square drive socket	A	B	C
8 - 20	F04	9	99	124	38
25	F05	11			



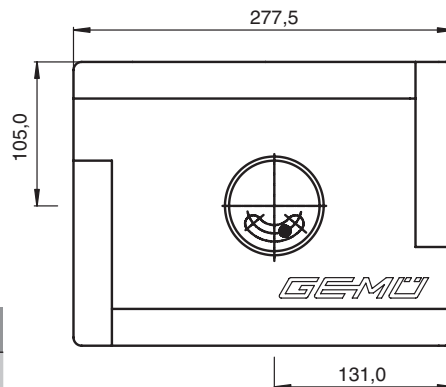
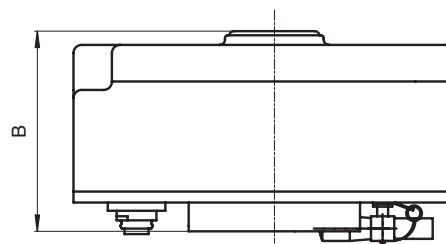
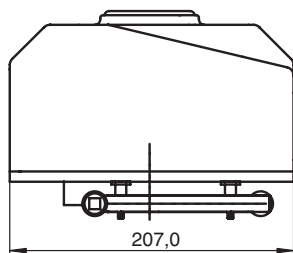
Actuator version 2070		
DN	ISO 5211	SW square drive socket
25, 32	F05	11
40, 50	F07	14
65	F10	17

Actuator dimensions - GEMÜ 728 motorized [mm]



Actuator version 3035

DN	Voltages	B
25	24 V	100,5
	100 V - 250 V	124,5



Actuator version 4100 / 4200

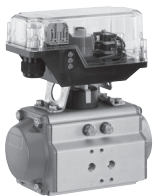
Functional module	ISO 5211	SW square drive socket	B
00, 0E, 0P	F07 + F10	17 / 22	146
A0, AE, AP, E2, E1			201

Overview of valve bodies for GEMÜ 711, 728, 751

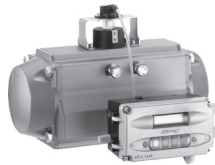
DN	Sockets			Spigots					Flanges		
	Connection code										
	1	31	2A	17	19	37	59	60	8	11	39
8	X	X	X	-	X	-	-	X	-	-	-
10	X	X	X	X	X	-	-	X	-	-	-
15	X	X	X	X	X	-	X	X	-	X	X
20	X	X	X	X	X	X	X	X	-	X	X
25	X	X	X	X	X	X	X	X	-	X	X
32	X	X	X	X	X	-	-	X	-	X	X
40	X	X	X	X	X	X	X	X	-	X	X
50	X	X	X	X	X	X	X	X	-	X	X
65	X	X	X	X	X	X	X	X	X	X	X
80	X	X	X	X	X	X	X	X	X	X	X
100	X	X	X	X	X	X	X	X	X	X	X

All rights including copyright and industrial property rights are expressly reserved.

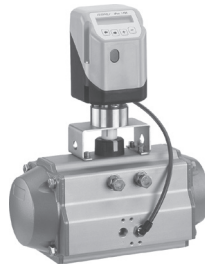
Instrumentation for quarter turn valves



GEMÜ ES2
Electrical
position indicator
on pneumatic actuator



GEMÜ 1435 ePos
Intelligent positioner
on pneumatic actuator



GEMÜ 1436 cPos
Intelligent positioner and
process controller on
pneumatic actuator



GEMÜ 4221
Combi switchbox with
integrated pilot valve on
pneumatic actuator

Should there be any doubts or misunderstandings, the German version of this data sheet is the authoritative document!

For further ball valves and other products, please see our Product Range catalogue and Price List.
Contact GEMÜ.

GEMÜ® VALVES, MEASUREMENT
AND CONTROL SYSTEMS

