

Flush diaphragm pressure transmitter model S-11

EN

Druckmessumformer mit frontbündiger Membrane Typ S-11

DE

Transmetteur de pression à membrane affleurante type S-11

FR

Transmisor de presión con membrana aflorante modelo S-11

ES



Flush diaphragm pressure transmitter model S-11

WIKAL

Part of your business

EN	Operating instructions model S-11	Page	3 - 24
DE	Betriebsanleitung Typ S-11	Seite	25 - 46
FR	Mode d'emploi type S-11	Page	47 - 68
ES	Manual de instrucciones modelo S-11	Página	69 - 91

© 2012 WIKA Alexander Wiegand SE & Co. KG
 All rights reserved. / Alle Rechte vorbehalten.
 WIKA® is a registered trademark in various countries.
 WIKA® ist eine geschützte Marke in verschiedenen Ländern.

Prior to starting any work, read the operating instructions!
 Keep for later use!

Vor Beginn aller Arbeiten Betriebsanleitung lesen!
 Zum späteren Gebrauch aufbewahren!

Lire le mode d'emploi avant de commencer toute opération !
 A conserver pour une utilisation ultérieure !

¡Leer el manual de instrucciones antes de comenzar cualquier trabajo!
 ¡Guardar el manual para una eventual consulta posterior!

Contents

1. General information	4
2. Safety	6
3. Specifications	8
4. Design and function	14
5. Transport, packaging and storage	14
6. Commissioning, operation	15
7. Adjustment of zero point and span	20
8. Maintenance and cleaning	21
9. Faults	21
10. Dismounting, return and disposal	22

Declarations of conformity can be found online at www.wika.com.

1. General information

1. General information

- The pressure transmitter described in the operating instructions has been designed and manufactured using state-of-the-art technology. All components are subject to stringent quality and environmental criteria during production. Our management systems are certified to ISO 9001 and ISO 14001.
- These operating instructions contain important information on handling the instrument. Working safely requires that all safety instructions and work instructions are observed.
- Observe the relevant local accident prevention regulations and general safety regulations for the instrument's range of use.
- The operating instructions are part of the product and must be kept in the immediate vicinity of the instrument and readily accessible to skilled personnel at any time.
- Skilled personnel must have carefully read and understood the operating instructions, prior to beginning any work.
- The manufacturer's liability is void in the case of any damage caused by using the product contrary to its intended use, non-compliance with these operating instructions, assignment of insufficiently qualified skilled personnel or unauthorised modifications to the instrument.
- The general terms and conditions contained in the sales documentation shall apply.
- Subject to technical modifications.
- Further information:
 - Internet address: www.wika.de / www.wika.com
 - Relevant data sheet: PE 81.02
 - Application consultant: Tel.: +49 9372 132-0
Fax: +49 9372 132-406
E-mail: info@wika.de

1. General information

Explanation of symbols



WARNING!

... indicates a potentially dangerous situation that can result in serious injury or death, if not avoided.



CAUTION!

... indicates a potentially dangerous situation that can result in light injuries or damage to equipment or the environment, if not avoided.



Information

... points out useful tips, recommendations and information for efficient and trouble-free operation.



CAUTION!

... indicates a potentially dangerous situation that can result in burns, caused by hot surfaces or liquids, if not avoided.

Abbreviations

2-wire	The two connection lines are used for the voltage supply. The measurement signal also provides the supply current.
3-wire	Two connection lines are used for the power supply. One connection line is used for the measurement signal.
U ₊	Positive power supply terminal
U ₋	Reference potential
S ₊	Analogue output

2. Safety

2. Safety



WARNING!

Before installation, commissioning and operation, ensure that the appropriate pressure transmitter has been selected in terms of measuring range, design and specific measuring conditions. Non-observation can result in serious injury and/or damage to equipment.



WARNING!

- Open the connections only after the system has been depressurised.
- Observe the working conditions in accordance with chapter 3 "Specifications".
- Always operate the pressure transmitter within the overpressure limit.



Further important safety instructions can be found in the individual chapters of these operating instructions.

2.1 Intended use

The pressure transmitter is used to convert pressure into an electrical signal indoors and outdoors. The instrument has been designed and built solely for the intended use described here, and may only be used accordingly. The technical specifications contained in these operating instructions must be observed. Improper handling or operation of the pressure transmitter outside of its technical specifications requires the instrument to be taken out of service immediately and inspected by an authorised WIKA service engineer. The manufacturer shall not be liable for claims of any type based on operation contrary to the intended use.

2.2 Personnel qualification



WARNING!

Risk of injury should qualification be insufficient!

Improper handling can result in considerable injury and damage to equipment. The activities described in these operating instructions may only be carried out by skilled personnel who have the qualifications described below.

Skilled personnel

Skilled personnel are understood to be personnel who, based on their technical training, knowledge of measurement and control technology and on their experience and knowledge of country-specific regulations, current standards and directives, are capable of carrying out the work described and independently recognising potential hazards. Special operating conditions require further appropriate knowledge, e.g. of aggressive media.

2. Safety

2.3 Special hazards



WARNING!

For hazardous media such as oxygen, acetylene, flammable or toxic gases or liquids, and refrigeration plants, compressors, etc., in addition to all standard regulations, the appropriate existing codes or regulations must also be followed.



WARNING!

Residual media in the dismantled pressure transmitter can result in a risk to persons, the environment and equipment.

Take sufficient precautionary measures.

Do not use this instrument in safety or emergency stop devices. Incorrect use of the instrument can result in injury.

Should a failure occur, aggressive media with extremely high temperature and under high pressure or vacuum may be present at the instrument.

2.4 Labelling / safety marks

Product label

The product label for the WIKAI Transmitter S-11 contains the following information:

- WIKAI** logo
- Warning symbol: exclamation mark in a triangle
- CAUTION: OPEN CIRCUIT BEFORE REMOVING COVER
- SP® logo
- CE mark
- Approvals (indicated by a line pointing to the SP and CE marks)
- Transmitter S-11**
- Measuring range: **0 ... 100 bar**
- Output signal: **4 ... 20 mA** (with a circle containing a right-pointing arrow)
- Power supply: **DC 10 ... 30 V** (with a circle containing a lightning bolt)
- Pin assignment: **1+** and **2-** (with a line pointing to the terminal symbols)
- S# Serial no. **S# 11639110**
- P# Product no. **P# 00639080**
- 2D code (indicated by a line pointing to a square with a grid pattern)
- WIKAI Alexander Wiesand SE & Co. KG 03911 Klingenberg Made in Germany
- 2B** logo

If the serial number and the 2D code become illegible due to mechanical damage or overpainting, traceability will no longer be possible.

3. Specifications

3. Specifications

3.1 Measuring ranges

EN

Gauge pressure

bar	Measuring range	0 ... 0.1	0 ... 0.16	0 ... 0.25	0 ... 0.4	0 ... 0.6	0 ... 1	0 ... 1.6
	Overload safety	1	1.5	2	2	4	5	10
	Measuring range	0 ... 2.5	0 ... 4	0 ... 6	0 ... 10	0 ... 16	0 ... 25	0 ... 40
	Overload safety	10	17	35	35	80	50	80
	Measuring range	0 ... 60	0 ... 100	0 ... 160	0 ... 250	0 ... 400	0 ... 600	
	Overload safety	120	200	320	500	800	1,200	
psi	Measuring range	0 ... 15	0 ... 20	0 ... 30	0 ... 50	0 ... 60	0 ... 100	0 ... 150
	Overload safety	145	145	145	240	240	500	500
	Measuring range	0 ... 160	0 ... 200	0 ... 250	0 ... 300	0 ... 400	0 ... 500	0 ... 600
	Overload safety	1,160	1,160	1,160	1,160	1,160	1,160	1,160
	Measuring range	0 ... 750	0 ... 1,000	0 ... 1,500	0 ... 2,000	0 ... 3,000	0 ... 5,000	0 ... 6,000
	Overload safety	1,740	1,740	2,900	4,600	7,200	11,600	11,600

Absolute pressure

bar	Measuring range	0 ... 0.25	0 ... 0.4	0 ... 0.6	0 ... 1	0 ... 1.6	0 ... 2.5	0 ... 4
	Overload safety	2	2	4	5	10	10	17
	Measuring range	0 ... 6	0 ... 10	0 ... 16				
	Overload safety	35	35	80				
psi	Measuring range	0 ... 15	0 ... 25	0 ... 50	0 ... 100	0 ... 250		
	Overload safety	72.5	145	240	500	1,160		

3. Specifications

EN

Vacuum and +/- measuring range

bar	Measuring range	-0.6 ... 0	-0.4 ... 0	-0.25 ... 0	-0.16 ... 0	-0.1 ... 0
	Overload safety	4	2	2	1.5	1
	Measuring range	-1 ... 0	-1 ... +0.6	-1 ... +1.5	-1 ... +3	-1 ... +5
	Overload safety	5	10	10	17	35
	Measuring range	-1 ... +9	-1 ... +15	-1 ... +24		
	Overload safety	35	80	50		
psi	Measuring range	-30 inHg ... 0	-30 inHg ... +30	-30 inHg ... +60	-30 inHg ... +100	-30 inHg ... +160
	Overload safety	72.5	240	240	500	1,160
	Measuring range	-30 inHg ... +200	-30 inHg ... +300			
	Overload safety	1,160	1,160			

Vacuum tightness: Yes

3.2 Output signals

Signal type	Signal
Current (2-wire)	4 ... 20 mA
Current (3-wire)	0 ... 20 mA
Voltage (3-wire)	DC 0 ... 10 V
	DC 0 ... 5 V

Load in Ω

Depending on the signal type the following loads apply:

Current (2-wire): $\leq (\text{power supply} - 10 \text{ V}) / 0.02 \text{ A}$

Current (3-wire): $\leq (\text{power supply} - 3 \text{ V}) / 0.02 \text{ A}$

Voltage (3-wire): $> \text{max. output signal} / 1 \text{ mA}$

3. Specifications

3.3 Power supply

4 ... 20 mA (2-wire): DC 10 ... 30 V
0 ... 20 mA (3-wire): DC 10 ... 30 V
DC 0 ... 10 V: DC 14 ... 30 V
DC 0 ... 5 V: DC 10 ... 30 V

3.4 Reference conditions (per IEC 61298-1)

Temperature: 15 ... 25 °C (59 ... 77 °F)

Atmospheric pressure: 860 ... 1,060 mbar (12.5 ... 15.4 psi)

Humidity: 45 ... 75 % r. h.

Power supply: DC 24 V

Mounting position: Calibrated in vertical mounting position with process connection facing downwards.

3.5 Accuracy specifications

Accuracy at reference conditions

Standard	$\leq \pm 0.5\%$ of span
Option	$\leq \pm 0.25\%$ of span ¹⁾

1) Only for measuring ranges ≥ 0.25 bar

Including non-linearity, hysteresis, zero offset and end value deviation (corresponds to measured error per IEC 61298-2). Calibrated in vertical mounting position with process connection facing downwards.

Non-linearity (per IEC 61298-2): $\leq \pm 0.2\%$ of span BFSL

Non-repeatability: $\leq 0.1\%$ of span

Long-term stability at reference conditions: $\leq \pm 0.2\%$ of span/year

Temperature error in rated temperature range

Rated temperature range: 0 ... 80 °C (32 ... 176 °F)

Mean temperature coefficient of zero point:

Measuring range > 0.25 bar: $\leq \pm 0.2\%$ of span/10 K

Measuring range ≤ 0.25 bar: $< \pm 0.4\%$ of span/10 K

Mean temperature coefficient of span: $\leq \pm 0.2\%$ of span/10 K

3. Specifications

Adjustability of zero point and span

Adjustment is made using potentiometers inside the instrument.

Not possible for IP68 cable outlet.

Zero point: $\pm 5\%$

Span: $\pm 5\%$

3.6 Time response

Settling time: ≤ 2 ms

3.7 Operating conditions

Ingress protection (per IEC 60529)

The ingress protection depends on the type of electrical connection.

Electrical connection	Ingress protection
Angular connector DIN 175301-803 A	IP65
Circular connector M12 x 1 (4-pin)	IP67
Cable outlet IP67	IP67
Cable outlet IP68	IP68 ¹⁾

1) Adjustability of zero point and span not possible.

The stated ingress protection only applies when plugged in using mating connectors that have the appropriate ingress protection.

Vibration resistance

Process connections without cooling element: 20 g (IEC 60068-2-6, under resonance)

Process connections with cooling element: 10 g (IEC 60068-2-6, under resonance)

Shock resistance

Process connections without cooling element: 1,000 g (IEC 60068-2-27, mechanical)

Process connections with cooling element: 400 g (IEC 60068-2-27, mechanical)

3. Specifications

Permissible temperature ranges

Also meets EN 50178, tab. 7, operation (C) 4K4H, storage (D) 1K4, transport (E) 2K3.

EN

Process connections without cooling element

Medium		
■ Standard	-30 ... +100 °C	-22 ... +212 °F
■ Option	-30 ... +125 °C	-22 ... +257 °F
Ambient	-20 ... +80 °C	-4 ... +176 °F
Storage	-40 ... +100 °C	-40 ... +212 °F

Process connections with cooling element

Medium	-20 ... +150 °C	-4 ... +302 °F
Ambient	-20 ... +80 °C	-4 ... +176 °F
Storage	-40 ... +100 °C	-40 ... +212 °F

3.8 Electrical connections

Short-circuit resistance: S+ vs. U-

Reverse polarity protection: U+ vs. U-

Overvoltage protection: DC 36 V

Insulation voltage: DC 500 V with NEC class 02 voltage supply (low voltage and low current max. 100 VA even under fault conditions)

3.9 Process connections

Thread	Available measuring ranges	
G ½ B flush ¹⁾	0 ... 2.5 to 0 ... 600 bar	0 ... 50 to 0 ... 6,000 psi
G 1 B flush ¹⁾	0 ... 0.1 to 0 ... 1.6 bar	0 ... 15 psi
Hygienic G 1 B flush (in accordance with 3-A Sanitary Standards)	0 ... 0.1 to 0 ... 25 bar	0 ... 15 to 0 ... 300 psi

¹⁾ Process connection also available with cooling element.

3. Specifications

Cooling elements

For higher medium temperatures, process connections with a cooling element are available (see “Operating conditions”).

Sealing

Process connection	Max. medium temperature	Sealing material and max. pressure limitation		
		Standard	Option 1	Option 2
without cooling element	up to 100 °C (212 °F)	NBR up to 600 bar (8,700 psi)	FKM/FPM ¹⁾ up to 600 bar (8,700 psi)	EPDM up to 200 bar (2,900 psi)
	up to 125 °C (257 °F)	NBR up to 600 bar (8,700 psi)	FKM/FPM ¹⁾ up to 400 bar (5,800 psi)	EPDM up to 200 bar (2,900 psi)
with cooling element	up to 150 °C (302 °F)	FKM/FPM ¹⁾ up to 300 bar (4,350 psi)	EPDM up to 200 bar (2,900 psi)	-
Hygienic	up to 150 °C (302 °F)	EPDM up to 200 bar (2,900 psi)	-	-

1) Minimum permissible medium and ambient temperature -20 °C / -4 °F

O-ring for G ½ B flush process connection optionally available with FFKM seal material (pressure limitation 600 bar (8,700 psi) for all medium temperatures)

The sealings listed under “Standard” are included in the delivery.

Wetted parts

- G ½ B and G 1 B flush: 316Ti
- G 1 B flush, hygienic: 316L
- For sealing materials see “Process connections”

Internal pressure transmission medium

Pressure transmission medium	
Standard	Synthetic oil
Option	Food-compatible system fill fluid per FDA 21 CFR 178.3750

3. ... / 4. Design and function / 5. Transport, packaging and storage

3.10 EU declaration of conformity

- EMC directive ¹⁾
- EN 61326 emission (group 1, class B) and interference immunity (industrial application)
- Pressure equipment directive
- RoHS directive

¹⁾ The existence of strong electromagnetic fields in a frequency range of < 2.7 GHz can result in increased measuring errors up to 1 %. Do not install the instruments in the vicinity of strong electromagnetic sources of interference (e.g. transmitting devices, radio equipment), or use sheath current filters where applicable.

For special model numbers, e.g. S-11000, please note the specifications stated on the delivery note.
For further specifications see WIKA data sheet PE 81.02 and the order documentation.

4. Design and function

4.1 Description

The prevailing pressure is measured at the sensor element through the deformation of a diaphragm. By supplying power, this deformation of the diaphragm is converted into an electrical signal. The output signal from the pressure transmitter is amplified and standardised. The output signal is proportional to the measured pressure.

4.2 Scope of delivery

Cross-check the scope of delivery with the delivery note.

5. Transport, packaging and storage

5.1 Transport

Check the pressure transmitter for any damage that may have been caused during transportation.
Obvious damage must be reported immediately.

5.2 Packaging

Do not remove packaging until just before mounting.
Keep the packaging as it will provide optimum protection during transport (e.g. change in installation site, sending for repair).

5. Transport, packaging and storage / 6. Commissioning, operation

5.3 Storage

Permissible conditions at the place of storage:

- Storage temperature: see chapter 3 "Specifications"
- Humidity: 45 ... 75 % relative humidity

Avoid exposure to the following factors:

- Mechanical vibration, mechanical shock (putting it down hard)
- Soot, vapour, dust and corrosive gases
- Potentially explosive environments, flammable atmospheres

Store the pressure transmitter in its original packaging in a location that fulfils the conditions listed above. If the original packaging is not available, pack and store the instrument as described below:

1. Place the protection cap on the process connection
2. Place the instrument, along with shock-absorbent material, in the packaging.



WARNING!

Before storing the instrument (following operation), remove any residual media. This is of particular importance if the medium is hazardous to health, e.g. caustic, toxic, carcinogenic, radioactive, etc..

6. Commissioning, operation



CAUTION!

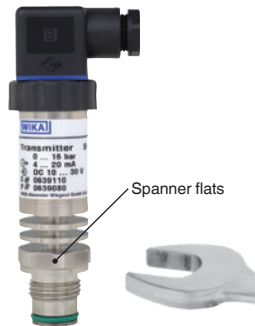
Prior to commissioning, the pressure transmitter must be subjected to a visual inspection.

- Leaking fluid is indicative of damage.
- Check the diaphragm of the process connection for any damage.
- Only use the pressure transmitter if it is in perfect condition with respect to safety.

6. Commissioning, operation

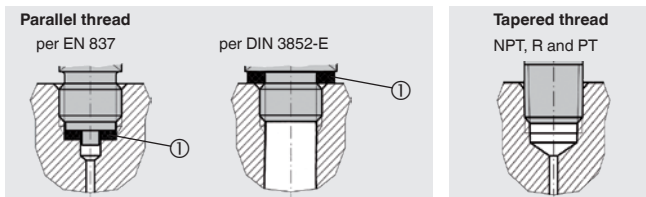
6.1 Mechanical mounting

- Remove the protection cap not until shortly before installation.
- Ensure that the diaphragm of the process connection is not damaged during installation.
- The sealing faces at the pressure transmitter and the measuring point always have to be clean.
- Only ever screw in, or unscrew, the instrument using the spanner flats. Never use the case or the cooling element as a working surface.
- The correct torque depends on the dimensions of the process connection and the gasket used (form/material).
- When screwing in, do not cross the threads.
- For information on tapped holes and welding sockets, see Technical information IN 00.14 at www.wika.com.
- Attach the connector and screw it in hand-tight. The assembly of the angular connector is described in chapter 6.2 "Electrical mounting".



Sealing

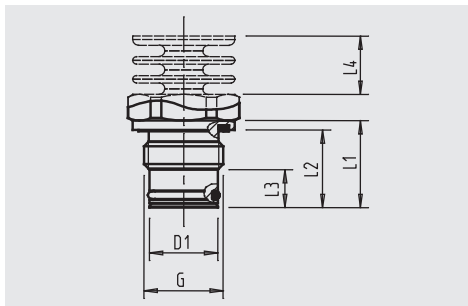
Correct sealing of the process connections with parallel threads at the sealing face ① must be made using suitable flat gaskets, sealing rings or WIKA profile sealings. The sealing of tapered threads (e.g. NPT threads) is made by providing the thread with additional sealing material such as, for example, PTFE tape (EN 837-2).



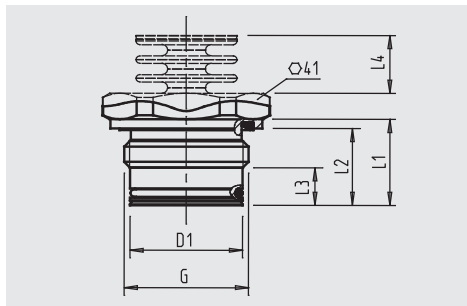
For further information on seals see WIKA data sheet AC 09.08 or under www.wika.com.

6. Commissioning, operation

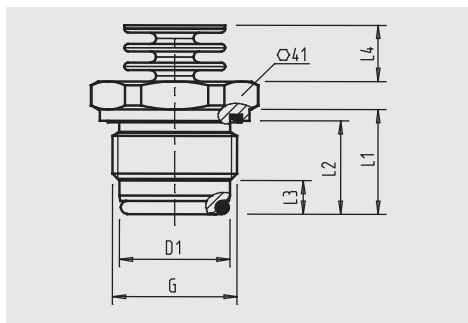
Dimensions of the process connections in mm



G	D1	L1	L2	L3	L4
G 1/2 B	18	23	20.5	10	15.5



G	D1	L1	L2	L3	L4
G 1 B	30	23	20.5	10	15.5



G	D1	L1	L2	L3	L4
G 1 B hygienic	29.5	28	25	9	15.5

For information on tapped holes and welding sockets, see Technical information IN 00.14 at www.wika.com.


6. Commissioning, operation

6.2 Electrical mounting

- The instrument must be earthed via the process connection.
- For instruments with voltage output, use shielded cable, and, if the cables are longer than 30 m or they leave the building, earth the shield at least at one end of the cable.
- In North America, use the instrument in line with "class 2 circuits" or "class 2 power units" in accordance with CEC (Canadian Electrical Code) or NEC (National Electrical Code).
- Select a cable diameter that matches the cable gland of the plug. Make sure that the cable gland of the mounted plug has a tight fit and that the seals are present and undamaged. Tighten the threaded connection and check that the seal is correctly seated, in order to ensure a tight seal.
- For cable outlets, make sure that no moisture enters at the cable end.


Connection diagrams

Angular connector DIN 175301-803 A

		2-wire	3-wire
	U ₊	1	1
	U ₋	2	2
	S ₊	-	3


Wire cross-section max. 1.5 mm²
Cable diameter 6 ... 8 mm

Cable outlet, unshielded

		2-wire	3-wire
	U ₊	brown	brown
	U ₋	green	green
	S ₊	-	white

Wire cross-section 3 x 0.5 mm²
Cable diameter 6.8 mm
Cable lengths 1.5 m, 3 m, 5 m, 10 m, 15 m

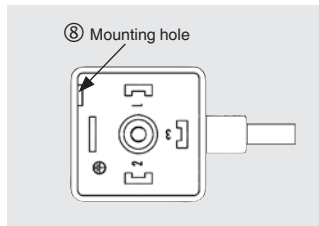
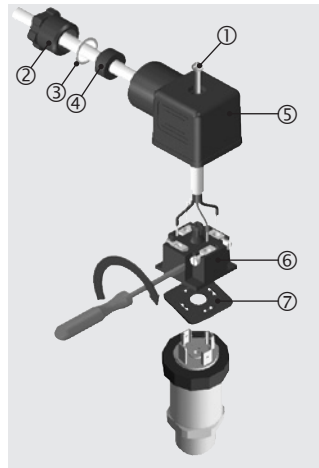
Circular connector M12 x 1 (4-pin)

		2-wire	3-wire
	U ₊	1	1
	U ₋	3	3
	S ₊	-	4

6. Commissioning, operation

Fitting a DIN 175301-803 angular connector

1. Loosen the screw ①.
2. Loosen the cable gland ②.
3. Pull the angled socket ⑤ + ⑥ from the instrument.
4. Via the mounting hole ⑧, lever the terminal block ⑥ out of the case ⑤.
5. Pass the cable with the appropriate cable outer diameter (see "Connection diagrams") through the cable gland ②, ring ③, sealing ④ and the case ⑤.
6. Connect the cable ends to the connection terminals on the terminal block ⑥ in accordance with the pin assignment (see "Connection diagrams" for the pin assignment).
7. Press the terminal block ⑥ into the case ⑤.
8. Tighten the cable gland ② around the cable. Make sure that the cable gland and seal are not damaged and that they are assembled correctly in order to ensure ingress protection.
9. Place the flat, square gasket ⑦ over the pressure transmitter's connection pins.
10. Slide the assembled angled socket ⑤ + ⑥ onto the pressure transmitter's connection pins.
11. Using the screw ①, screw the angled socket to the pressure transmitter, hand-tight.



7. Adjustment of zero point and span

7. Adjustment of zero point and span



Only adjust the span-setting potentiometer if calibration equipment is available which has at least three times the accuracy of the pressure transmitter.

7.1 Preparation (figure A)

To gain access to the potentiometers, open the instrument as follows:

- Disconnect the electrical connection ① from the instrument.
- Remove the clamping nut ②.
- Carefully pull the instrument connector ③ from the instrument.
- Connect the instrument connector ③ to the power supply and a display unit (e.g. ammeter, voltmeter) according to the connection diagram.

7.2 Adjustment of zero point (figure B)

- Go to the start of the measuring range.
- Using potentiometer "Z", adjust the minimum output signal (e.g. 4 mA)

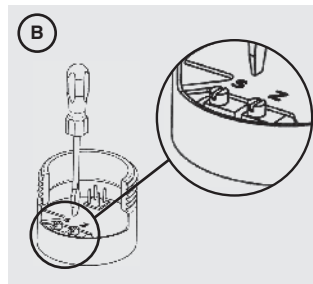
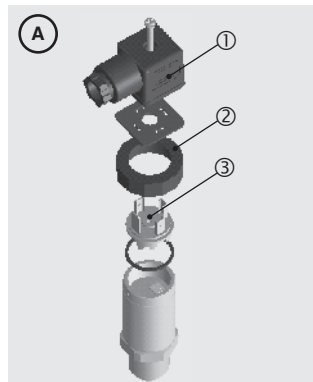
7.3 Setting the span (figure B)

- Go to the end of the measuring range.
- Using potentiometer "S", adjust the maximum output signal (e.g. 20 mA)
- Check the zero point and if there is any deviation, re-adjust it.
- Repeat the procedure until the zero point and the span are set correctly.

7.4 Finish the adjustment (figure A)

- Disconnect the instrument connector ③ from the power supply and the display unit.
- Carefully push the instrument connector ③ onto the instrument, without damaging the wires or the seals. The seals must be clean and undamaged in order to guarantee the given ingress protection.
- Tighten the clamping nut ②.

After the adjustment, check that the system is functioning correctly.
Recommended recalibration cycle: 1 year



8. Maintenance and cleaning

8. Maintenance and cleaning

8.1 Maintenance

This pressure transmitter is maintenance-free.
Repairs must only be carried out by the manufacturer.

8.2 Cleaning



CAUTION!

- Before cleaning, correctly disconnect the instrument from the pressure supply, switch it off and disconnect it from the power supply.
- Do not use any pointed or hard objects for cleaning, as they may damage the diaphragm of the process connection.
- Clean the instrument with a moist cloth.
- Electrical connections must not come into contact with moisture.
- Wash or clean the dismantled instrument before returning it in order to protect personnel and the environment from exposure to residual media.
- Residual media in the dismantled pressure transmitter can result in a risk to persons, the environment and equipment. Take sufficient precautionary measures.



For information on returning the instrument see chapter 10.2 "Return".

9. Faults

In the event of any faults, first check whether the pressure transmitter is mounted correctly, mechanically and electrically.

Fault	Possible cause	Measure
No output signal	Cable break	Check the through drilling
	No/wrong power supply	Correct the power supply
No/wrong output signal	Wiring error	Rectify the wiring
Constant output signal upon change in pressure	Mechanical overload caused by overpressure	Replace instrument

9. Faults / 10. Dismounting, return and disposal

Fault	Possible cause	Measure
Signal span too small/drops	Mechanical overload caused by overpressure	Replace instrument
	Diaphragm damage	Replace instrument
	Sealing/sealing face damaged/soiled, sealing does not have a tight fit, threads jammed	Clean the sealing/sealing face, replace sealing
Signal span varies/inaccurate	EMC interference sources in the environment (e.g. frequency converter)	Shield instrument; shield cable; remove source of interference
	Operating temperature too high/low	Observe the permissible temperatures
	Instrument not earthed	Earth the instrument
	Strongly varying pressure of the process medium	Damping; consulting by the manufacturer
Deviating zero point signal	Operating temperature too high/low	Observe the permissible temperatures
	Other mounting position	Adjust the zero point
	Overpressure limit exceeded	Replace instrument



CAUTION!

If faults cannot be eliminated by means of the measures listed above, the pressure transmitter must be shut down immediately, and it must be ensured that signal is no longer present, and it must be prevented from being inadvertently put back into service. In this case, contact the manufacturer. If a return is needed, follow the instructions given in chapter 10.2 "Return".

10. Dismounting, return and disposal



WARNING!

Residual media in the dismantled pressure transmitter can result in a risk to persons, the environment and equipment.

Take sufficient precautionary measures.

10. Dismounting, return and disposal

10.1 Dismounting



WARNING!

Risk of burns!

Let the instrument cool down sufficiently before dismounting!

During dismounting there is a risk of dangerously hot pressure media escaping.

Only disconnect the pressure transmitter once the system has been depressurised!

During removal, do not damage the diaphragm of the process connection. After removal and cleaning (see chapter 8.2 “Cleaning”), place the protection cap on the instrument to protect the diaphragm.

10.2 Return



WARNING!

Absolutely observe the following when shipping the instrument:

All instruments delivered to WIKA must be free from any kind of hazardous substances (acids, leachate, solutions, etc.).

When returning the instrument, use the original packaging or a suitable transport package.

Enclose the completed returns form with the instrument.



The return form can be found under the heading ‘Service’ at www.wika.com.

10.3 Disposal

Incorrect disposal can put the environment at risk.

Dispose of instrument components and packaging materials in an environmentally compatible way and in accordance with the country-specific waste disposal regulations.



Do not dispose of with household waste. Ensure a proper disposal in accordance with national regulations.

Inhalt

1. Allgemeines	26
2. Sicherheit	28
3. Technische Daten	30
4. Aufbau und Funktion	36
5. Transport, Verpackung und Lagerung	36
6. Inbetriebnahme, Betrieb	37
7. Einstellung Nullpunkt und Spanne	42
8. Wartung und Reinigung	43
9. Störungen	43
10. Demontage, Rücksendung und Entsorgung	45

Konformitätserklärungen finden Sie online unter www.wika.de.

1. Allgemeines

1. Allgemeines

- Der in der Betriebsanleitung beschriebene Druckmessumformer wird nach den neuesten Erkenntnissen konstruiert und gefertigt.
Alle Komponenten unterliegen während der Fertigung strengen Qualitäts- und Umweltkriterien. Unsere Managementsysteme sind nach ISO 9001 und ISO 14001 zertifiziert.
- Diese Betriebsanleitung gibt wichtige Hinweise zum Umgang mit dem Gerät. Voraussetzung für sicheres Arbeiten ist die Einhaltung aller angegebenen Sicherheitshinweise und Handlungsanweisungen.
- Die für den Einsatzbereich des Gerätes geltenden örtlichen Unfallverhütungsvorschriften und allgemeinen Sicherheitsbestimmungen einhalten.
- Die Betriebsanleitung ist Produktbestandteil und muss in unmittelbarer Nähe des Gerätes für das Fachpersonal jederzeit zugänglich aufbewahrt werden.
- Das Fachpersonal muss die Betriebsanleitung vor Beginn aller Arbeiten sorgfältig durchgelesen und verstanden haben.
- Die Haftung des Herstellers erlischt bei Schäden durch bestimmungswidrige Verwendung, Nichtbeachten dieser Betriebsanleitung, Einsatz ungenügend qualifizierten Fachpersonals sowie eigenmächtiger Veränderung am Gerät.
- Es gelten die allgemeinen Geschäftsbedingungen in den Verkaufsunterlagen.
- Technische Änderungen vorbehalten.
- Weitere Informationen:
 - Internet-Adresse: www.wika.de / www.wika.com
 - zugehöriges Datenblatt: PE 81.02
 - Anwendungsberater: Tel.: +49 9372 132-0
Fax: +49 9372 132-406
info@wika.de

1. Allgemeines

Symbolerklärung



WARNUNG!

... weist auf eine möglicherweise gefährliche Situation hin, die zum Tod oder zu schweren Verletzungen führen kann, wenn sie nicht gemieden wird.



VORSICHT!

... weist auf eine möglicherweise gefährliche Situation hin, die zu geringfügigen oder leichten Verletzungen bzw. Sach- und Umweltschäden führen kann, wenn sie nicht gemieden wird.



Information

... hebt nützliche Tipps und Empfehlungen sowie Informationen für einen effizienten und störungsfreien Betrieb hervor.



VORSICHT!

... weist auf eine möglicherweise gefährliche Situation hin, die durch heiße Oberflächen oder Flüssigkeiten zu Verbrennungen führen kann, wenn sie nicht gemieden wird.

Abkürzungen

- 2-Leiter Die zwei Anschlussleitungen dienen zur Spannungsversorgung.
Der Speisestrom ist das Messsignal.
- 3-Leiter Zwei Anschlussleitungen dienen zur Spannungsversorgung.
Eine Anschlussleitung dient für das Messsignal.
- U₊ Positiver Versorgungsanschluss
- U₋ Bezugspotential
- S₊ Analogausgang

2. Sicherheit



WARNUNG!

Vor Montage, Inbetriebnahme und Betrieb sicherstellen, dass der richtige Druckmessumformer hinsichtlich Messbereich, Ausführung und spezifischen Messbedingungen ausgewählt wurde. Bei Nichtbeachten können schwere Körperverletzungen und/oder Sachschäden auftreten.



WARNUNG!

- Anschlüsse nur im drucklosen Zustand öffnen.
- Betriebsparameter gemäß Kapitel 3 „Technische Daten“ beachten.
- Druckmessumformer immer innerhalb der Überlast-Druckgrenze betreiben.



Weitere wichtige Sicherheitshinweise befinden sich in den einzelnen Kapiteln dieser Betriebsanleitung.

2.1 Bestimmungsgemäße Verwendung

Der Druckmessumformer dient zum Umwandeln von Druck in ein elektrisches Signal im Innen- und Außenbereich. Das Gerät ist ausschließlich für den hier beschriebenen bestimmungsgemäßen Verwendungszweck konzipiert und konstruiert und darf nur dementsprechend verwendet werden. Die technischen Spezifikationen in dieser Betriebsanleitung sind einzuhalten. Eine unsachgemäße Handhabung oder ein Betreiben des Druckmessumformers außerhalb der technischen Spezifikationen macht die sofortige Stilllegung und Überprüfung durch einen autorisierten WIKA-Servicemitarbeiter erforderlich.

Ansprüche jeglicher Art aufgrund von nicht bestimmungsgemäßer Verwendung sind ausgeschlossen.

2.2 Personalqualifikation



WARNUNG!

Verletzungsgefahr bei unzureichender Qualifikation!

Unsachgemäßer Umgang kann zu erheblichen Personen- und Sachschäden führen. Die in dieser Betriebsanleitung beschriebenen Tätigkeiten nur durch Fachpersonal nachfolgend beschriebener Qualifikation durchführen lassen.

Fachpersonal

Das Fachpersonal ist aufgrund seiner fachlichen Ausbildung, seiner Kenntnisse der Mess- und Regelungstechnik und seiner Erfahrungen sowie Kenntnis der landesspezifischen Vorschriften, geltenden Normen und Richtlinien in der Lage, die beschriebenen Arbeiten auszuführen und mögliche Gefahren selbstständig zu erkennen.

Spezielle Einsatzbedingungen verlangen weiteres entsprechendes Wissen, z. B. über aggressive Medien.

2. Sicherheit

2.3 Besondere Gefahren



WARNUNG!

Bei gefährlichen Messstoffen wie z. B. Sauerstoff, Acetylen, brennbaren oder giftigen Stoffen, sowie bei Kälteanlagen, Kompressoren etc. müssen über die gesamten allgemeinen Regeln hinaus die einschlägigen Vorschriften beachtet werden.



WARNUNG!

Messstoffreste im ausgebauten Druckmessumformer können zur Gefährdung von Personen, Umwelt und Einrichtung führen.




Ausreichende Vorsichtsmaßnahmen ergreifen.

Dieses Gerät nicht in Sicherheits- oder in Not-Aus-Einrichtungen benutzen. Fehlerhafte Anwendungen des Gerätes können zu Verletzungen führen.

Am Gerät können im Fehlerfall aggressive Medien mit extremer Temperatur und unter hohem Druck oder Vakuum anliegen.

2.4 Beschilderung / Sicherheitskennzeichnungen

Typenschild

WIKAI  CAUTION: OPEN CIRCUIT BEFORE REMOVING COVER  

Transmitter S-11

Messbereich: **0 ... 100 bar**

Ausgangssignal: **↻ 4 ... 20 mA**

Hilfsenergie: **⊕ DC 10 ... 30 V**

S# Serien-Nr.: **S # 11639110**

P# Erzeugnis-Nr.: **P # 00639080**

1+ 2-

WIKAI Alexander Wiegand SE & Co. KG 03911 Klingenberg Made in Germany 2B

Zulassungen

Anschlussbelegung

2D-Code

Wird die Seriennummer und der 2D-Code durch mechanische Beschädigung oder Übermalen unleserlich, ist eine Rückverfolgbarkeit nicht mehr möglich.

3. Technische Daten

3. Technische Daten

3.1 Messbereiche

Relativdruck								
bar	Messbereich	0 ... 0,1	0 ... 0,16	0 ... 0,25	0 ... 0,4	0 ... 0,6	0 ... 1	0 ... 1,6
	Überlastsicherheit	1	1,5	2	2	4	5	10
	Messbereich	0 ... 2,5	0 ... 4	0 ... 6	0 ... 10	0 ... 16	0 ... 25	0 ... 40
	Überlastsicherheit	10	17	35	35	80	50	80
	Messbereich	0 ... 60	0 ... 100	0 ... 160	0 ... 250	0 ... 400	0 ... 600	
Überlastsicherheit	120	200	320	500	800	1.200		
psi	Messbereich	0 ... 15	0 ... 20	0 ... 30	0 ... 50	0 ... 60	0 ... 100	0 ... 150
	Überlastsicherheit	145	145	145	240	240	500	500
	Messbereich	0 ... 160	0 ... 200	0 ... 250	0 ... 300	0 ... 400	0 ... 500	0 ... 600
	Überlastsicherheit	1.160	1.160	1.160	1.160	1.160	1.160	1.160
	Messbereich	0 ... 750	0 ... 1.000	0 ... 1.500	0 ... 2.000	0 ... 3.000	0 ... 5.000	0 ... 6.000
Überlastsicherheit	1.740	1.740	2.900	4.600	7.200	11.600	11.600	

Absolutdruck								
bar	Messbereich	0 ... 0,25	0 ... 0,4	0 ... 0,6	0 ... 1	0 ... 1,6	0 ... 2,5	0 ... 4
	Überlastsicherheit	2	2	4	5	10	10	17
	Messbereich	0 ... 6	0 ... 10	0 ... 16				
Überlastsicherheit	35	35	80					
psi	Messbereich	0 ... 15	0 ... 25	0 ... 50	0 ... 100	0 ... 250		
	Überlastsicherheit	72,5	145	240	500	1.160		

3. Technische Daten

Vakuum- und +/- Messbereich

bar	Messbereich	-0,6 ... 0	-0,4 ... 0	-0,25 ... 0	-0,16 ... 0	-0,1 ... 0
	Überlastsicherheit	4	2	2	1,5	1
	Messbereich	-1 ... 0	-1 ... +0,6	-1 ... +1,5	-1 ... +3	-1 ... +5
	Überlastsicherheit	5	10	10	17	35
	Messbereich	-1 ... +9	-1 ... +15	-1 ... +24		
	Überlastsicherheit	35	80	50		
psi	Messbereich	-30 inHg ... 0	-30 inHg ... +30	-30 inHg ... +60	-30 inHg ... +100	-30 inHg ... +160
	Überlastsicherheit	72,5	240	240	500	1.160
	Messbereich	-30 inHg ... +200	-30 inHg ... +300			
	Überlastsicherheit	1.160	1.160			

Vakuumfestigkeit: Ja

3.2 Ausgangssignale

Signalart	Signal
Strom (2-Leiter)	4 ... 20 mA
Strom (3-Leiter)	0 ... 20 mA
Spannung (3-Leiter)	DC 0 ... 10 V
	DC 0 ... 5 V

Bürde in Ω

Je nach Signalart gelten folgende Bürden:

Strom (2-Leiter): \leq (Hilfsenergie - 10 V) / 0,02 A

Strom (3-Leiter): \leq (Hilfsenergie - 3 V) / 0,02 A

Spannung (3-Leiter): $>$ max. Ausgangssignal / 1 mA

3. Technische Daten

3.3 Hilfsenergie

4 ... 20 mA (2-Leiter): DC 10 ...30 V
0 ... 20 mA (3-Leiter): DC 10 ...30 V
DC 0 ... 10 V: DC 14 ... 30 V
DC 0 ... 5 V: DC 10 ...30 V

3.4 Referenzbedingungen (nach IEC 61298-1)

Temperatur: 15 ... 25 °C (59 ... 77 °F)
Luftdruck: 860 ... 1.060 mbar (12,5 ... 15,4 psi)
Luftfeuchte: 45 ... 75 % r. F.
Hilfsenergie: DC 24 V
Einbaulage: Kalibriert bei senkrechter Einbaulage mit Prozessanschluss nach unten.

3.5 Genauigkeitsangaben

Genauigkeit bei Referenzbedingungen

Standard	≤ ±0,5 % der Spanne
Option	≤ ±0,25 % der Spanne ¹⁾

1) Nur für Messbereiche ≥ 0,25 bar

Einschließlich Nichtlinearität, Hysterese, Nullpunkt- und Endwertabweichung (entspricht Messabweichung nach IEC 61298-2). Kalibriert bei senkrechter Einbaulage mit Prozessanschluss nach unten.

Nichtlinearität (nach IEC 61298-2): ≤ ±0,2 % der Spanne BFSL

Nichtwiederholbarkeit: ≤ 0,1 % der Spanne

Langzeitstabilität bei Referenzbedingungen: ≤ ±0,2 % der Spanne/Jahr

Temperaturfehler im Nenntemperaturbereich

Nenntemperaturbereich: 0 ... 80 °C (32 ... 176 °F)

Mittlerer Temperaturkoeffizient des Nullpunktes:

Messbereich > 0,25 bar: ≤ ±0,2 % der Spanne/10 K

Messbereich ≤ 0,25 bar: < ±0,4 % der Spanne/10 K

Mittlerer Temperaturkoeffizient der Spanne: ≤ ±0,2 % der Spanne/10 K

3. Technische Daten

Einstellbarkeit Nullpunkt und Spanne

Einstellung erfolgt über Potentiometer im Gerät.

Nicht möglich bei Kabelausgang IP68.

Nullpunkt: $\pm 5\%$

Spanne: $\pm 5\%$

3.6 Zeitverhalten

Einschwingzeit: ≤ 2 ms

3.7 Einsatzbedingungen

Schutzarten (nach IEC 60529)

Die Schutzart ist abhängig vom Typ des elektrischen Anschlusses.

Elektrischer Anschluss	Schutzart
Winkelstecker DIN 175301-803 A	IP65
Rundstecker M12 x 1 (4-polig)	IP67
Kabelausgang IP67	IP67
Kabelausgang IP68	IP68 ¹⁾

1) Einstellbarkeit Nullpunkt und Spanne nicht möglich.

Die angegebenen Schutzarten gelten nur im gesteckten Zustand mit Gegensteckern entsprechender Schutzart.

Vibrationsbeständigkeit

Prozessanschlüsse ohne Kühlstrecke: 20 g (IEC 60068-2-6, bei Resonanz)

Prozessanschlüsse mit Kühlstrecke: 10 g (IEC 60068-2-6, bei Resonanz)

Schockfestigkeit

Prozessanschlüsse ohne Kühlstrecke: 1.000 g (IEC 60068-2-27, mechanisch)

Prozessanschlüsse mit Kühlstrecke: 400 g (IEC 60068-2-27, mechanisch)

3. Technische Daten

Zulässige Temperaturbereiche

Erfüllt auch EN 50178, Tab. 7, Betrieb (C) 4K4H, Lagerung (D) 1K4, Transport (E) 2K3.

Prozessanschlüsse ohne Kühlstrecke

Messstoff		
■ Standard	-30 ... +100 °C	-22 ... +212 °F
■ Option	-30 ... +125 °C	-22 ... +257 °F
Umgebung	-20 ... +80 °C	-4 ... +176 °F
Lagerung	-40 ... +100 °C	-40 ... +212 °F

Prozessanschlüsse mit Kühlstrecke

Messstoff	-20 ... +150 °C	-4 ... +302 °F
Umgebung	-20 ... +80 °C	-4 ... +176 °F
Lagerung	-40 ... +100 °C	-40 ... +212 °F

3.8 Elektrische Anschlüsse

Kurzschlussfestigkeit: S+ gegen U-

Verpolungsschutz: U+ gegen U-

Überspannungsschutz: DC 36 V

Isolationsspannung: DC 500 V bei NEC Class 02 Spannungsversorgung (Niederspannung und Niederstrom max. 100 VA auch im Fehlerzustand)

3.9 Prozessanschlüsse

Gewinde	Verfügbare Messbereiche	
G ½ B frontbündig ¹⁾	0 ... 2,5 bis 0 ... 600 bar	0... 50 bis 0 ... 6.000 psi
G 1 B frontbündig ¹⁾	0 ... 0,1 bis 0 ... 1,6 bar	0 ... 15 psi
Hygienic G 1 B frontbündig (entspricht 3-A Sanitary Standards)	0 ... 0,1 bis 0 ... 25 bar	0 ... 15 bis 0 ... 300 psi

1) Prozessanschluss ist auch mit Kühlstrecke erhältlich.

3. Technische Daten

Kühlstrecken

Für höhere Messstofftemperaturen sind Prozessanschlüsse mit Kühlstrecke verfügbar (siehe „Einsatzbedingungen“).

Dichtung

Prozessanschluss	Max. Messstofftemperatur	Dichtwerkstoff und max. Druckbelastbarkeit		
		Standard	Option 1	Option 2
ohne Kühlstrecke	bis 100 °C (212 °F)	NBR bis 600 bar (8.700 psi)	FKM/FPM ¹⁾ bis 600 bar (8.700 psi)	EPDM bis 200 bar (2.900 psi)
	bis 125 °C (257 °F)	NBR bis 600 bar (8.700 psi)	FKM/FPM ¹⁾ bis 400 bar (5.800 psi)	EPDM bis 200 bar (2.900 psi)
mit Kühlstrecke	bis 150 °C (302 °F)	FKM/FPM ¹⁾ bis 300 bar (4.350 psi)	EPDM bis 200 bar (2.900 psi)	-
Hygienic	bis 150 °C (302 °F)	EPDM bis 200 bar (2.900 psi)	-	-

1) Minimal zulässige Messstoff- und Umgebungstemperatur -20 °C / -4 °F

O-Ring für Prozessanschluss G ½ B frontbündig optional verfügbar mit Dichtwerkstoff FFKM (Druckbelastbarkeit 600 bar (8.700 psi) für alle Messstofftemperaturen)

Die unter „Standard“ aufgelisteten Dichtungen sind im Lieferumfang enthalten.

Messstoffberührte Teile

- G ½ B und G 1 B frontbündig: 316TI
- Hygienic G 1 B frontbündig: 316L
- Dichtwerkstoffe siehe „Prozessanschlüsse“

Interne Druckübertragungsmedium

Druckübertragungsmedium	
Standard	Synthetisches Öl
Option	Lebensmitteltaugliche Druckübertragungsflüssigkeit gemäß FDA 21 CFR 178.3750

3. ... / 4. Aufbau und Funktion / 5. Transport, Verpackung und Lagerung

3.10 EU-Konformitätserklärung

- EMV-Richtlinie ¹⁾
- EN 61326 Emission (Gruppe 1, Klasse B) und Störfestigkeit (industrieller Bereich)
- Druckgeräterichtlinie
- RoHS-Richtlinie

1) Bei Vorhandensein von starken elektromagnetischen Feldern im Frequenzbereich < 2,7 GHz, kann es zu erhöhten Messfehlern bis zu 1 % kommen. Die Geräte nicht in der Nähe von starken elektromagnetischen Störquellen installieren (z. B. Sendegeräte, Funkanlagen) oder ggf. Mantelstromfilter einsetzen.

Bei Sondertypennummer, z. B. S-11000 Spezifikationen gemäß Lieferschein beachten.

Weitere technische Daten siehe WIKA Datenblatt PE 81.02 und Bestellunterlagen.

4. Aufbau und Funktion

4.1 Beschreibung

Der anstehende Druck wird mittels Membranverformung am Sensorelement gemessen. Unter Zuführung von Hilfsenergie wird diese Membranverformung in ein elektrisches Signal umgewandelt. Das vom Druckmessumformer ausgegebene Signal ist verstärkt und standardisiert. Das Ausgangssignal verhält sich proportional zum gemessenen Druck.

4.2 Lieferumfang

Lieferumfang mit dem Lieferschein abgleichen.

5. Transport, Verpackung und Lagerung

5.1 Transport

Druckmessumformer auf eventuell vorhandene Transportschäden untersuchen.

Offensichtliche Schäden unverzüglich mitteilen.

5.2 Verpackung

Verpackung erst unmittelbar vor der Montage entfernen.

Die Verpackung aufbewahren, denn diese bietet bei einem Transport einen optimalen Schutz (z. B. wechselnder Einbauort, Reparatursendung).

5. Transport, Verpackung und Lagerung / 6. Inbetriebnahme, Betrieb

5.3 Lagerung

Zulässige Bedingungen am Lagerort:

- Lagertemperatur: siehe Kapitel 3 „Technische Daten“
- Feuchtigkeit: 45 ... 75 % relative Feuchte

Folgende Einflüsse vermeiden:

- Mechanische Vibration, mechanischer Schock (hartes Aufstellen)
- Ruß, Dampf, Staub und korrosive Gase
- Explosionsgefährdete Umgebung, entzündliche Atmosphären

Den Druckmessumformer in der Originalverpackung an einem Ort lagern, der die oben gelisteten Bedingungen erfüllt. Wenn die Originalverpackung nicht vorhanden ist, dann das Gerät wie folgt verpacken und lagern:

1. Schutzkappe auf dem Prozessanschluss aufbringen
2. Das Gerät mit dem Dämmmaterial in der Verpackung platzieren.



WARNUNG!

Vor der Einlagerung des Gerätes (nach Betrieb) alle anhaftenden Messstoffreste entfernen. Dies ist besonders wichtig, wenn der Messstoff gesundheitsgefährdend ist, wie z. B. ätzend, giftig, krebserregend, radioaktiv, usw.

6. Inbetriebnahme, Betrieb



VORSICHT!

Vor der Inbetriebnahme den Druckmessumformer optisch prüfen.

- Auslaufende Flüssigkeit weist auf eine Beschädigung hin.
- Die Membrane des Prozessanschlusses auf Beschädigungen überprüfen.
- Den Druckmessumformer nur in sicherheitstechnisch einwandfreiem Zustand einsetzen.

6. Inbetriebnahme, Betrieb

6.1 Mechanische Montage

- Schutzkappe erst kurz vor dem Einbau entfernen.
- Sicherstellen, dass die Membrane des Prozessanschlusses während des Einbaus nicht beschädigt wird.
- Dichtflächen am Druckmessumformer und der Messstelle müssen stets frei von Verschmutzungen sein.
- Das Gerät nur über die Schlüssel­flächen ein- bzw. ausschrauben. Niemals das Gehäuse oder die Kühl­strecke als Angriffs­fläche verwenden.
- Das richtige Drehmoment ist abhängig von der Dimension des Prozessanschlusses sowie der verwendeten Dichtung (Form/Werkstoff).
- Beim Einschrauben die Gewindegänge nicht verkanten.
- Angaben zu Einschraub­löchern und Einschweiß­stutzen siehe Technische Information IN 00.14 unter www.wika.de.
- Stecker aufstecken und handfest verschrauben. Die Montage des Winkelsteckers wird in Kapitel 6.2 „Elektrische Montage“ beschrieben.

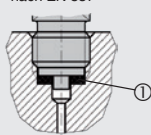


Abdichtung

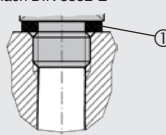
Zur Abdichtung der Prozessanschlüsse mit zylindrischem Gewinde an der Dichtfläche ① sind Flachdichtungen, Dicht­lin­sen oder WIK­A-Profil­dichtungen einzusetzen. Bei kegeligem Gewinde (z. B. NPT-Gewinde) erfolgt die Abdichtung im Gewinde, mit zusätz­lichen Dichtwerkstoffen, wie z.B. PTFE-Band (EN 837-2).

Zylindrisches Gewinde

nach EN 837

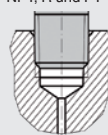


nach DIN 3852-E



Kegeliges Gewinde

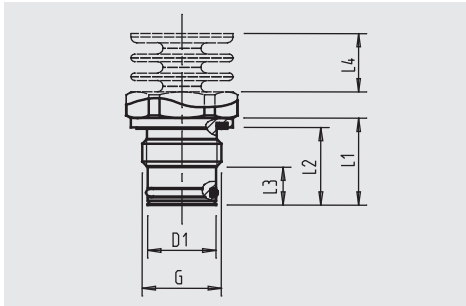
NPT, R und PT



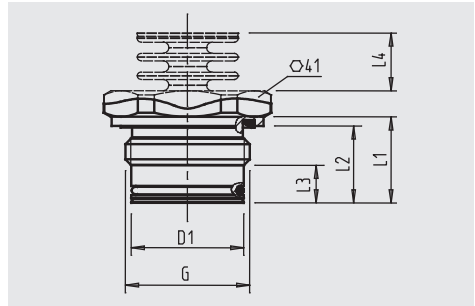
Hinweise zu Dichtungen siehe WIK­A Datenblatt AC 09.08 oder unter www.wika.de.

6. Inbetriebnahme, Betrieb

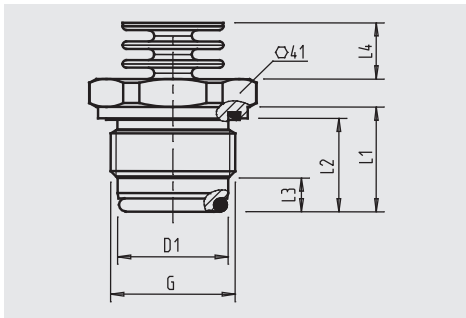
Abmessungen der Prozessanschlüsse in mm



G	D1	L1	L2	L3	L4
G 1/2 B	18	23	20.5	10	15.5



G	D1	L1	L2	L3	L4
G 1 B	30	23	20.5	10	15.5



G	D1	L1	L2	L3	L4
G 1 B hygienic	29.5	28	25	9	15.5

Angaben zu Einschraublöchern und Einschweißstutzen
siehe Technische Information IN 00.14 unter www.wika.de.


6. Inbetriebnahme, Betrieb

6.2 Elektrische Montage

- Das Gerät über den Prozessanschluss erden.
- Geräte mit Spannungsausgang mit geschirmter Leitung betreiben und den Schirm auf mindestens einer Leitungsseite erden, wenn die Leitungen länger als 30 m sind oder das Gebäude verlassen.
- In Nordamerika das Gerät über „Class 2 Circuits“ oder „Class 2 Power Units“ gemäß CEC (Canadian Electrical Code) oder NEC (National Electrical Code) betreiben.
- Den Kabeldurchmesser passend zur Kabeldurchführung des Steckers wählen. Darauf achten, dass die Kabelverschraubung des montierten Steckers korrekt sitzt und dass die Dichtungen vorhanden und nicht beschädigt sind. Verschraubung festziehen und den korrekten Sitz der Dichtungen überprüfen, um die Schutzart zu gewährleisten.
- Bei Kabelausgängen sicherstellen, dass am Ende des Kabels keine Feuchtigkeit eintritt.


Anschlusschemen

Winkelstecker DIN 175301-803 A

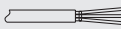
		2-Leiter	3-Leiter
	U+	1	1
	U-	2	2
	S+	-	3

Aderquerschnitt max. 1,5 mm² (AWG 16)
Kabeldurchmesser 6 ... 8 mm (0,24 ... 0,31")

Rundstecker M12 x 1 (4-polig)

		2-Leiter	3-Leiter
	U+	1	1
	U-	3	3
	S+	-	4

Kabelausgang

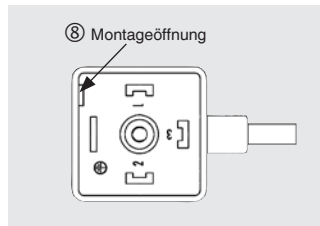
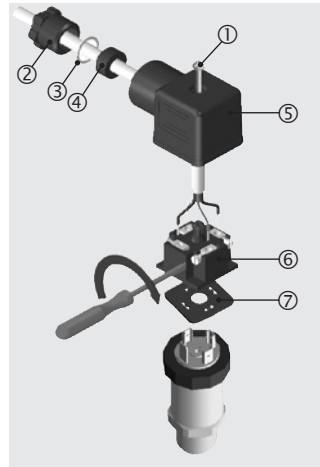
		2-Leiter	3-Leiter
	U+	braun	braun
	U-	grün	grün
	S+	-	weiß
	Schirm	grau	grau

Aderquerschnitt 6 x 0,5 mm² (AWG 20), Kabeldurchmesser 6,8 mm (0,27")
Kabellängen 1,5 m, 3 m, 5 m, 10 m, 15 m (4,9 ft, 9,8 ft, 16,4 ft, 32,8 ft, 49,2 ft)

6. Inbetriebnahme, Betrieb

Montage Winkelstecker DIN 175301-803

1. Die Schraube ① lösen.
2. Die Kabelverschraubung ② lösen.
3. Die Winkeldose ⑤ + ⑥ vom Gerät abziehen.
4. Über die Montageöffnung ⑧ den Klemmblock ⑥ aus dem Gehäuse ⑤ hebeln.
5. Das Kabel mit passendem Leitungsaußendurchmesser (siehe „Anschlussschemen“) durch Kabelverschraubung ②, Ring ③, Dichtung ④ und das Gehäuse ⑤ schieben.
6. Die Kabelenden entsprechend der Belegung in den Anschlussklemmen des Klemmblocks ⑥ anschließen (Belegung siehe „Anschlussschemen“).
7. Den Klemmblock ⑥ in das Gehäuse ⑤ drücken.
8. Das Kabel über die Kabelverschraubung ② verschrauben. Darauf achten, dass die Kabelverschraubung und Dichtung unbeschädigt ist und korrekt sitzt, um die Schutzart zu gewährleisten.
9. Die quadratische Flachdichtung ⑦ über die Anschlusspins des Druckmessumformers legen.
10. Die montierte Winkeldose ⑤ + ⑥ auf die Anschlusspins des Druckmessumformers schieben.
11. Über die Schraube ① die Winkeldose am Druckmessumformer handfest verschrauben.



DE

7. Einstellung Nullpunkt und Spanne

7. Einstellung Nullpunkt und Spanne



Das Potentiometer zur Spanneinstellung nur verstellen, wenn eine Kalibrierungs-
ausrüstung vorhanden ist, die mindestens die dreifache Genauigkeit des Druckmessumformers aufweist.

DE

7.1 Vorbereitung (Abbildung A)

Um Zugang zu den Potentiometern zu erhalten, das Gerät wie folgt öffnen:

- Den elektrischen Anschluss ① vom Gerät trennen.
- Den Griffing ② lösen.
- Den Gerätestecker ③ vorsichtig aus dem Gerät ziehen.
- Den Gerätestecker ③ gemäß Anschlusschema mit der Hilfsenergie und einer Anzeigeeinheit (z. B. Strommessgerät, Spannungsmessgerät) verbinden.

7.2 Einstellung Nullpunkt (Abbildung B)

- Den Messbereichsanfang anfahren.
- Über das Potentiometer „Z“ das minimale Ausgangssignal justieren (z. B. 4 mA)

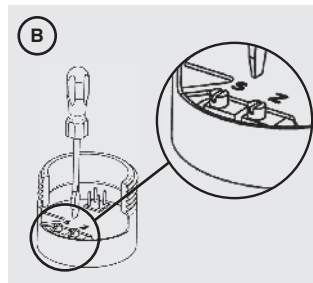
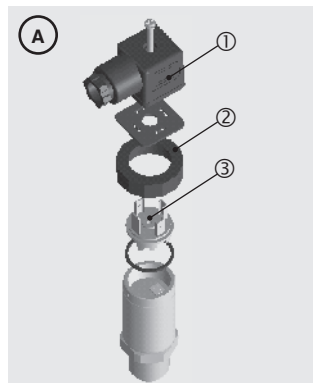
7.3 Einstellung Spanne (Abbildung B)

- Den Messbereichsendwert anfahren.
- Über das Potentiometer „S“ das maximale Ausgangssignal justieren (z. B. 20 mA).
- Den Nullpunkt überprüfen und bei Abweichung erneut justieren.
- Den Vorgang solange wiederholen bis Nullpunkt und Spanne korrekt eingestellt sind.

7.4 Einstellung abschließen (Abbildung A)

- Den Gerätestecker ③ von der Hilfsenergie und Anzeigeeinheit trennen.
- Den Gerätestecker ③ vorsichtig in das Gerät stecken, ohne Litzen und Dichtungen zu beschädigen. Die Dichtungen müssen sauber und unbeschädigt sein, um die angegebene Schutzart sicherzustellen.
- Den Griffing ② festziehen.

Nach dem Justieren die korrekte Arbeitsweise des Systems überprüfen.
Empfohlener Nachkalibrierzyklus: 1 Jahr



8. Wartung und Reinigung / 9. Störungen

8. Wartung und Reinigung

8.1 Wartung

Der Druckmessumformer ist wartungsfrei.

Reparaturen sind ausschließlich vom Hersteller durchzuführen.

8.2 Reinigung



VORSICHT!

- Vor der Reinigung das Gerät ordnungsgemäß von der Druckversorgung trennen, ausschalten und von der Hilfsenergie trennen.
- Keine spitzen bzw. harten Gegenstände zur Reinigung verwenden, denn diese können die Membrane des Prozessanschlusses beschädigen.
- Das Gerät mit einem feuchten Tuch reinigen.
- Elektrische Anschlüsse nicht mit Feuchtigkeit in Berührung bringen.
- Ausgebautes Gerät vor der Rücksendung spülen bzw. säubern, um Personen und Umwelt vor Gefährdung durch anhaftende Messstoffreste zu schützen.
- Messstoffreste am ausgebauten Druckmessumformer können zur Gefährdung von Personen, Umwelt und Einrichtung führen.
Ausreichende Vorsichtsmaßnahmen ergreifen.



Hinweise zur Rücksendung des Gerätes siehe Kapitel 10.2 „Rücksendung“.

9. Störungen

Bei Störungen zuerst überprüfen, ob der Druckmessumformer mechanisch und elektrisch korrekt montiert ist.

Störung	Mögliche Ursache	Maßnahme
Kein Ausgangssignal	Leitungsbruch	Durchgang überprüfen
	Keine/Falsche Hilfsenergie	Hilfsenergie korrigieren
Kein/Falsches Ausgangssignal	Verdrahtungsfehler	Verdrahtung korrigieren

9. Störungen

Störung	Mögliche Ursache	Maßnahme
Gleichbleibendes Ausgangssignal bei Druckänderung	Mechanische Überlastung durch Überdruck	Gerät austauschen
Signalspanne zu klein/fällt ab	Mechanische Überlastung durch Überdruck	Gerät austauschen
	Membranbeschädigung	Gerät austauschen
	Dichtung/Dichtfläche beschädigt/verschmutzt, Dichtung sitzt nicht korrekt, Gewindegänge verkantet	Dichtung/Dichtfläche säubern, Dichtung austauschen
Signalspanne schwankend/ungenau	EMV-Störquellen in Umgebung (z. B. Frequenzumrichter)	Gerät abschirmen, Leitung abschirmen, Störquelle entfernen
	Zu hohe/niedrige Einsatztemperaturen	Zulässige Temperaturen einhalten
	Gerät nicht geerdet	Gerät erden
	Stark schwankender Druck des Prozessmediums	Dämpfung; Beratung durch Hersteller
Abweichendes Nullpunktsignal	Zu hohe/niedrige Einsatztemperaturen	Zulässige Temperaturen einhalten
	Abweichende Einbaulage	Nullpunkt korrigieren
	Überlast-Druckgrenze überschritten	Gerät austauschen



VORSICHT!

Können Störungen mit Hilfe der oben aufgeführten Maßnahmen nicht beseitigt werden, ist der Druckmessumformer unverzüglich außer Betrieb zu setzen und gegen versehentliche Inbetriebnahme zu schützen. In diesem Falle Kontakt mit dem Hersteller aufnehmen. Bei notwendiger Rücksendung die Hinweise unter Kapitel 10.2 „Rücksendung“ beachten.

10. Demontage, Rücksendung und Entsorgung

10. Demontage, Rücksendung und Entsorgung



WARNUNG!

Messstoffreste am ausgebauten Druckmessumformer können zur Gefährdung von Personen, Umwelt und Einrichtung führen. Ausreichende Vorsichtsmaßnahmen ergreifen.

10.1 Demontage



WARNUNG!

Verbrennungsgefahr!

Vor dem Ausbau das Gerät ausreichend abkühlen lassen!

Beim Ausbau besteht Gefahr durch austretende, gefährlich heiße Messstoffe.

Druckmessumformer nur im drucklosen Zustand demontieren!

Während der Demontage die Membrane des Prozessanschlusses nicht beschädigen. Schutzkappe zum Schutz der Membrane nach der Demontage und Reinigung (siehe Kapitel 8.2 „Reinigung“) am Gerät anbringen.

10.2 Rücksendung



WARNUNG!

Beim Versand des Gerätes unbedingt beachten:

Alle an WIKA gelieferten Geräte müssen frei von Gefahrstoffen (Säuren, Laugen, Lösungen, etc.) sein.

Zur Rücksendung des Gerätes die Originalverpackung oder eine geeignete Transportverpackung verwenden. Dem Gerät das Rücksendeformular ausgefüllt beifügen.



Das Rücksendeformular befindet sich in der Rubrik ‚Service‘ unter www.wika.de.

10.3 Entsorgung

Durch falsche Entsorgung können Gefahren für die Umwelt entstehen.

Gerätekomponenten und Verpackungsmaterialien entsprechend den landesspezifischen Abfallbehandlungs- und Entsorgungsvorschriften umweltgerecht entsorgen.



Nicht mit dem Hausmüll entsorgen. Für eine geordnete Entsorgung gemäß nationaler Vorgaben sorgen.



DE

Sommaire

1. Généralités	48
2. Sécurité	50
3. Spécifications	50
4. Conception et fonction	58
5. Transport, emballage et stockage	58
6. Mise en service, exploitation	59
7. Réglage du point zéro y étendue	64
8. Entretien et nettoyage	65
9. Dysfonctionnements	65
10. Démontage, retour et mise au rebut	67

Déclarations de conformité se trouvent sur www.wika.fr.

1. Généralités

1. Généralités

- Le transmetteur décrit dans le mode d'emploi est conçu et fabriqué selon les dernières technologies en vigueur. Tous les composants sont soumis à des critères de qualité et d'environnement stricts durant la fabrication. Nos systèmes de gestion sont certifiés selon ISO 9001 et ISO 14001.
- Ce mode d'emploi donne des indications importantes concernant l'utilisation de l'instrument. Il est possible de travailler en toute sécurité avec ce produit en respectant toutes les consignes de sécurité et d'utilisation.
- Respecter les prescriptions locales de prévention contre les accidents et les prescriptions générales de sécurité en vigueur pour le domaine d'application de l'instrument.
- Le mode d'emploi fait partie du produit et doit être conservé à proximité immédiate de l'instrument et être accessible à tout moment pour le personnel qualifié.
- Le personnel qualifié doit, avant de commencer toute opération, avoir lu soigneusement et compris le mode d'emploi.
- La responsabilité du fabricant n'est pas engagée en cas de dommages provoqués par une utilisation non conforme à l'usage prévu, de non respect de ce mode d'emploi, d'utilisation de personnel peu qualifié de même qu'en cas de modifications de l'instrument effectuées par l'utilisateur.
- Les conditions générales de vente mentionnées dans les documents de vente s'appliquent.
- Sous réserve de modifications techniques.
- Pour obtenir d'autres informations :
 - Consulter notre site internet : www.wika.fr
 - Fiche technique correspondante : PE 81.02
 - Conseiller applications : Tel.: 0 820 951010 (0,15 €/min)
+33 1 787049-46
Fax : 0 891 035891 (0,35 €/min)
info@wika.fr

1. Généralités

Explication des symboles



AVERTISSEMENT !

... indique une situation présentant des risques susceptibles de provoquer la mort ou des blessures graves si elle n'est pas évitée.



ATTENTION !

... indique une situation potentiellement dangereuse et susceptible de provoquer de légères blessures ou des dommages matériels et pour l'environnement si elle n'est pas évitée.



Information

... met en exergue les conseils et recommandations utiles de même que les informations permettant d'assurer un fonctionnement efficace et normal.



ATTENTION !

... indique une situation présentant des risques susceptibles de provoquer des brûlures dues à des surfaces ou liquides chauds si elle n'est pas évitée.

Abréviations

2 fils	Les deux lignes de raccordement servent à l'alimentation en tension. Le signal de mesure fournit également le courant d'alimentation.
3 fils	Deux lignes de raccordement servent à l'alimentation en alimentation Un câble de raccordement est utilisé pour le signal de mesure.
U ₊	Borne d'alimentation positive
U ₋	Potentiel de référence
S ₊	Sortie analogique

2. Sécurité



AVERTISSEMENT !

Avant le montage, la mise en service et le fonctionnement, s'assurer que le transmetteur de pression a été choisi de façon adéquate, en ce qui concerne l'étendue de mesure, la version et les conditions de mesure spécifiques.

Un non-respect de cette consigne peut entraîner des blessures corporelles graves et/ou des dégâts matériels.



AVERTISSEMENT !

- N'ouvrez les connexions qu'après que le système ait été dépressurisé.
- Observez les conditions de fonctionnement conformément au chapitre 3 «Spécifications».
- Ne faites fonctionner le transmetteur de pression que dans les limites de surpression.



Vous trouverez d'autres consignes de sécurité dans les sections individuelles du présent mode d'emploi.

2.1 Utilisation conforme à l'usage prévu

Le transmetteur de pression est utilisé pour convertir la pression en un signal électrique à l'intérieur comme à l'extérieur. L'instrument est conçu et construit exclusivement pour une utilisation conforme à l'usage prévu décrit ici et ne doit être utilisé qu'en conséquence.

Les spécifications techniques mentionnées dans ce mode d'emploi doivent être respectées. En cas d'utilisation inadéquate ou de fonctionnement du transmetteur de pression en dehors des spécifications techniques, un arrêt et contrôle doivent être immédiatement effectués par un collaborateur autorisé du service de WIKA.

Aucune réclamation ne peut être recevable en cas d'utilisation non conforme à l'usage prévu.

2.2 Qualification du personnel



AVERTISSEMENT !

Danger de blessure en cas de qualification insuffisante !

Une utilisation non conforme peut entraîner d'importants dommages corporels et matériels.

Les opérations décrites dans ce mode d'emploi ne doivent être effectuées que par un personnel ayant la qualification décrite ci-après.

2. Sécurité

Personnel qualifié

Le personnel qualifié est, en raison de sa formation spécialisée, de ses connaissances dans le domaine de la technique de mesure et de régulation et de ses expériences de même que de sa connaissance des prescriptions nationales, des normes et directives en vigueur, en mesure d'effectuer les travaux décrits et de reconnaître automatiquement les dangers potentiels.

Les conditions d'utilisation spéciales exigent également une connaissance adéquate par exemple des liquides agressifs.

2.3 Dangers particuliers



AVERTISSEMENT !

Dans le cas de fluides de mesure dangereux comme notamment l'oxygène, l'acétylène, les substances combustibles ou toxiques, ainsi que dans le cas d'installations de réfrigération, de compresseurs etc., les directives appropriées existantes doivent être observées en plus de l'ensemble des règles générales.



AVERTISSEMENT !

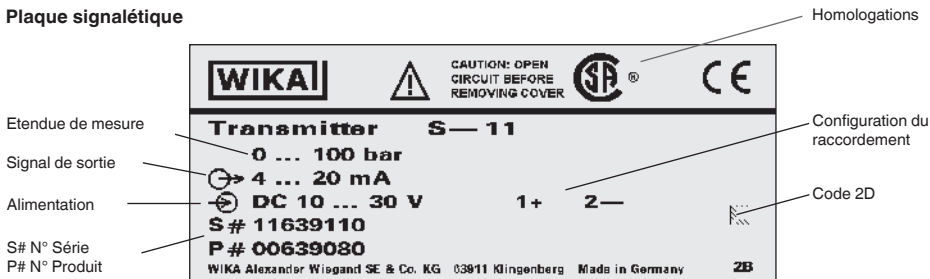
Les restes de fluides se trouvant dans le transmetteur de pression démonté peuvent mettre en danger les personnes, l'environnement ainsi que l'installation. Prendre des mesures de sécurité suffisantes.

Ne pas utiliser cet instrument dans des dispositifs de sécurité ou d'arrêt d'urgence. Une utilisation incorrecte de l'instrument peut occasionner des blessures.

En cas d'erreur, des fluides agressifs peuvent être présents à une température extrême et sous une pression élevée ou sous vide au niveau de l'instrument.

2.4 Etiquetage / Marquages de sécurité

Plaque signalétique



Si le numéro de série et le code 2D deviennent illisibles (par ex. à cause de dommages mécaniques ou de peinture), aucune traçabilité n'est plus possible.

3. Spécifications

3. Spécifications

3.1 Etendues de mesure

Pression relative								
bar	Etendue de mesure	0 ... 0,1	0 ... 0,16	0 ... 0,25	0 ... 0,4	0 ... 0,6	0 ... 1	0 ... 1,6
	Limite de surpression	1	1,5	2	2	4	5	10
	Etendue de mesure	0 ... 2,5	0 ... 4	0 ... 6	0 ... 10	0 ... 16	0 ... 25	0 ... 40
	Limite de surpression	10	17	35	35	80	50	80
	Etendue de mesure	0 ... 60	0 ... 100	0 ... 160	0 ... 250	0 ... 400	0 ... 600	
	Limite de surpression	120	200	320	500	800	1.200	
psi	Etendue de mesure	0 ... 15	0 ... 20	0 ... 30	0 ... 50	0 ... 60	0 ... 100	0 ... 150
	Limite de surpression	145	145	145	240	240	500	500
	Etendue de mesure	0 ... 160	0 ... 200	0 ... 250	0 ... 300	0 ... 400	0 ... 500	0 ... 600
	Limite de surpression	1.160	1.160	1.160	1.160	1.160	1.160	1.160
	Etendue de mesure	0 ... 750	0 ... 1.000	0 ... 1.500	0 ... 2.000	0 ... 3.000	0 ... 5.000	0 ... 6.000
	Limite de surpression	1.740	1.740	2.900	4.600	7.200	11.600	11.600

Pression absolue								
bar	Etendue de mesure	0 ... 0,25	0 ... 0,4	0 ... 0,6	0 ... 1	0 ... 1,6	0 ... 2,5	0 ... 4
	Limite de surpression	2	2	4	5	10	10	17
	Etendue de mesure	0 ... 6	0 ... 10	0 ... 16				
	Limite de surpression	35	35	80				
psi	Etendue de mesure	0 ... 15	0 ... 25	0 ... 50	0 ... 100	0 ... 250		
	Limite de surpression	72,5	145	240	500	1.160		

3. Spécifications

Vide et étendues de mesure +/-

bar	Etendue de mesure	-0,6 ... 0	-0,4 ... 0	-0,25 ... 0	-0,16 ... 0	-0,1 ... 0
	Limite de surpression	4	2	2	1,5	1
	Etendue de mesure	-1 ... 0	-1 ... +0,6	-1 ... +1,5	-1 ... +3	-1 ... +5
	Limite de surpression	5	10	10	17	35
	Etendue de mesure	-1 ... +9	-1 ... +15	-1 ... +24		
	Limite de surpression	35	80	50		
psi	Etendue de mesure	-30 inHg ... 0	-30 inHg ... +30	-30 inHg ... +60	-30 inHg ... +100	-30 inHg ... +160
	Limite de surpression	72,5	240	240	500	1.160
	Etendue de mesure	-30 inHg ... +200	-30 inHg ... +300			
	Limite de surpression	1.160	1.160			

FR

Étanchéité au vide: Oui

3.2 Signaux de sortie

Type de signal	Signal
Courant (2 fils)	4 ... 20 mA
Courant (3 fils)	0 ... 20 mA
Tension (3 fils)	0 ... 10 VDC
	0 ... 5 VDC

Charge en Ω

Selon le type de signal, les charges suivantes s'appliquent :

Courant (2 fils) : \leq (alimentation - 10 V) / 0,02 A

Courant (3 fils) : \leq (alimentation - 3 V) / 0,02 A

Tension (3 fils) : $>$ signal de sortie maximum / 1 mA

3. Spécifications

3.3 Alimentation

4 ... 20 mA (2 fils) : 10 ... 30 VDC

0 ... 20 mA (3 fils) : 10 ... 30 VDC

0 ... 10 VDC : 14 ... 30 VDC

0 ... 5 VDC : 10 ... 30 VDC

3.4 Conditions de référence (selon CEI 61298-1)

Température: 15 ... 25 °C (59 ... 77 °F)

Pression atmosphérique: 860 ... 1.060 mbar (12,5 ... 15,4 psi)

Humidité: 45 ... 75 % h. r.

Alimentation: 24 VDC

Position de montage: Calibré en position de montage verticale avec le raccord process vers le bas.

3.5 Caractéristiques de précision

Précision aux conditions de référence

Standard	$\leq \pm 0,5\%$ de l'échelle
Option	$\leq \pm 0,25\%$ de l'échelle ¹⁾

1) Seulement pour étendues de mesure $\geq 0,25$ bar

Incluant la non-linéarité, l'hystérésis, les déviations du point zéro et de valeur finale (correspond à l'erreur de mesure selon CEI 61298-2). Calibré en position de montage verticale avec le raccord process vers le bas.

Non-linéarité (selon CEI 61298-2): $\leq \pm 0,2\%$ de l'échelle BFSL

Non-répétabilité: $\leq 0,1\%$ de l'échelle

Stabilité à long terme aux conditions de référence: $\leq \pm 0,2\%$ de l'échelle par an

Erreur de température dans la plage de température nominale

Plage de température nominale : 0 ... 80 °C (32 ... 176 °F)

Coefficient de température moyen du point zéro :

Etendue de mesure $> 0,25$ bar : $\leq \pm 0,2\%$ de l'échelle/10 K

Etendue de mesure $\leq 0,25$ bar : $< \pm 0,4\%$ de l'échelle/10 K

Coefficient de température moyen de l'échelle : $\leq \pm 0,2\%$ de l'échelle/10 K

3. Spécifications

Possibilité de réglage du point zéro et étendue

Le réglage est effectué en utilisant des potentiomètres à l'intérieur de l'instrument.

Impossible pour une sortie câble avec un indice de protection IP 68.

Point zéro : $\pm 5 \%$

Echelle : $\pm 5 \%$

3.6 Temps de réponse

Temps de stabilisation: ≤ 2 ms

3.7 Conditions de fonctionnement

Indice de protection (selon CEI 60529)

Le degré de protection dépend du type de connexion électrique.

Raccordement électrique	Indice de protection
Connecteur coudé DIN 175301-803 A	IP65
Connecteur circulaire M12 x 1 (4 plots)	IP67
Sortie câble IP67	IP67
Sortie câble IP68	IP68 ¹⁾

1) Réglage du point zéro et de l'étendue impossible.

L'indice de protection mentionné n'est valable que lorsque le contre-connecteur possède également l'indice de protection requis.

Résistance aux vibrations

Raccords process sans élément de refroidissement : 20 g (CEI 60068-2-6, sous résonance)

Raccords process avec élément de refroidissement : 10 g (CEI 60068-2-6, sous résonance)

Résistance aux chocs

Raccords process sans élément de refroidissement : 1.000 g (CEI 60068-2-27, mécanique)

Raccords process avec élément de refroidissement : 400 g (CEI 60068-2-27, mécanique)

3. Spécifications

Plages de température admissibles

Respecte aussi la norme EN 50178, tab. 7, opération (C) 4K4H, stockage (D) 1K4, transport (E) 2K3.

Raccords process sans élément de refroidissement

Fluide		
■ Standard	-30 ... +100 °C	-22 ... +212 °F
■ Option	-30 ... +125 °C	-22 ... +257 °F
Ambiante	-20 ... +80 °C	-4 ... +176 °F
Stockage	-40 ... +100 °C	-40 ... +212 °F

Raccords process avec élément de refroidissement

Fluide	-20 ... +150 °C	-4 ... +302 °F
Ambiante	-20 ... +80 °C	-4 ... +176 °F
Stockage	-40 ... +100 °C	-40 ... +212 °F

3.8 Raccordements électriques

Résistance court-circuit: S+ vs. U-

Protection contre l'inversion de polarité: U+ vs. U-

Protection contre la surtension: 36 VDC

Tension d'isolement: 500 VDC avec tension d'alimentation NEC classe 02 (basse tension et faible courant maximum 100 VA même en cas de défaut)

3.9 Raccords process

Filetage	Etendues de mesure disponibles	
G ½ B à affleurement frontal ¹⁾	0 ... 2,5 à 0 ... 600 bar	0 ... 50 à 0 ... 6.000 psi
G 1 B à affleurement frontal ¹⁾	0 ... 0,1 à 0 ... 1,6 bar	0 ... 15 psi
G 1 B hygiénique, à affleurement frontal (en conformité avec les Normes Sanitaires 3-A)	0 ... 0,1 à 0 ... 25 bar	0 ... 15 à 0 ... 300 psi

1) Raccord process également disponible avec élément de refroidissement.

3. Spécifications

Eléments de refroidissement

Pour les fluides à des températures supérieures, des raccords process avec élément de refroidissement sont disponibles (voir "Conditions de fonctionnement").

Etanchéité

Raccord process	Température de fluide maximale	Matériau d'étanchéité et limite maximale de pression		
		Standard	Option 1	Option 2
sans élément de refroidissement	jusqu'à 100 °C (212 °F)	NBR jusqu'à 600 bar (8.700 psi)	FKM/FPM ¹⁾ jusqu'à 600 bar (8.700 psi)	EPDM jusqu'à 200 bar (2.900 psi)
	jusqu'à 125 °C (257 °F)	NBR jusqu'à 600 bar (8.700 psi)	FKM/FPM ¹⁾ jusqu'à 400 bar (5.800 psi)	EPDM jusqu'à 200 bar (2.900 psi)
avec élément de refroidissement	jusqu'à 150 °C (302 °F)	FKM/FPM ¹⁾ jusqu'à 300 bar (4.350 psi)	EPDM jusqu'à 200 bar (2.900 psi)	-
Hygiénique	jusqu'à 150 °C (302 °F)	EPDM jusqu'à 200 bar (2.900 psi)	-	-

1) Température de fluide et ambiante minimale admissible -20 °C / -4 °F

Joint torique pour un raccord process affleurant G ½ B disponible en option avec un matériau de joint d'étanchéité FFKM (plage d'utilisation 600 bar (8.700 psi) pour toutes les températures de fluide)

Les joints d'étanchéité énumérés à la rubrique "Standard" sont inclus dans la livraison.

Parties en contact avec le fluide

- G ½ B et G 1 B à affleurement frontal : 316TI
- G 1 B à affleurement frontal, hygiénique : 316L
- Pour les matériaux des joints d'étanchéité, voir "Raccords process"

Fluide de transmission de pression interne

Fluide de transmission de pression	
Standard	Huile silicone
Option	Liquide amortisseur de transmission liquide de transmission par FCA 21 CFR 178.3750

3. ... / 4. Conception et fonction / 5. Transport, emballage et stockage

3.10 Déclaration de conformité UE

- Directive CEM ¹⁾
- EN 61326 émission (groupe 1, classe B) et immunité d'interférence (application industrielle)
- Directive relative aux équipements sous pression
- Directive RoHS

1) La présence de forts champs électromagnétiques dans une plage de fréquence inférieure à < 2,7 GHz peut entraîner une augmentation de l'erreur de mesure jusqu'à 1 %. Ne pas installer d'instruments au voisinage d'émetteurs de fortes interférences électromagnétiques (ex : dispositifs de transmission, dispositifs radio), ou utiliser si possible des câbles isolés ou blindés.

FR

Pour les numéros de type spéciaux, par exemple S-11000, prière de tenir compte des spécifications figurant sur la notice de livraison.

Pour de plus amples spécifications, voir la fiche technique WIKA PE 81.02 et la documentation de commande.

4. Conception et fonction

4.1 Description

La pression de référence est mesurée sur l'élément capteur par la déformation d'une membrane. En fournissant du courant, on convertit cette déformation de la membrane en un signal électrique. Le signal de sortie en provenance du transmetteur de pression est amplifié et standardisé. Le signal de sortie est proportionnel à la pression mesurée.

4.2 Détail de la livraison

Comparer le détail de la livraison avec le bordereau de livraison.

5. Transport, emballage et stockage

5.1 Transport

Vérifier s'il existe des dégâts sur le transmetteur de pression liés au transport.

Communiquer immédiatement les dégâts constatés.

5.2 Emballage

N'enlever l'emballage qu'avant le montage.

Conservé l'emballage, celui-ci offre, lors d'un transport, une protection optimale (par ex. changement de lieu d'utilisation, renvoi pour réparation).

5. Transport, emballage et stockage / 6. Mise en service, exploitation

5.3 Stockage

Conditions admissibles sur le lieu de stockage :

- Température de stockage : voir chapitre 3 «Spécifications»
- Humidité : 45 ... 75 % d'humidité relative

Éviter les influences suivantes :

- Vibrations mécaniques, chocs mécaniques (mouvements brusques en le posant)
- Suie, vapeur, poussière et gaz corrosifs
- Environnement présentant des risques d'explosion, atmosphères inflammables

Conserver la pression différentielle dans l'emballage original dans un endroit qui satisfait aux conditions susmentionnées. Si l'emballage original n'est pas disponible, emballer et stocker l'instrument comme suit :

1. Mettre le bouchon de protection sur le raccord process
2. Placer l'instrument avec le matériau isolant dans l'emballage.



AVERTISSEMENT !

Enlever tous les restes de fluides adhérents avant l'entreposage de l'instrument (après le fonctionnement). Ceci est particulièrement important lorsque le fluide représente un danger pour la santé, comme p. ex. des substances corrosives, toxiques, cancérigènes, radioactives etc..

6. Mise en service, exploitation



ATTENTION !

Avant la mise en service, le transmetteur de pression doit être soumis à un contrôle visuel.

- Une fuite de liquide indique un dommage.
- Vérifier s'il existe des dégâts sur la membrane du raccord process.
- Le transmetteur de pression ne doit être utilisé qu'en parfait état de sécurité technique.

6. Mise en service, exploitation

6.1 Montage mécanique

- N'enlevez le couvercle de protection que juste avant l'installation.
- Assurez-vous que la membrane du raccord process n'est pas endommagée pendant l'installation.
- Les surfaces d'étanchéité sur le transmetteur de pression et le point de mesure doivent être propres.
- Ne vissez ou ne dévissez jamais l'instrument que par les surfaces de clé. Ne jamais utiliser le boîtier ou l'élément de refroidissement comme surface de travail.
- Le couple correct dépend des dimensions du raccord process et du joint utilisé (forme/matériau).
- Lorsque vous vissez, ne pas croiser les filets.
- Pour obtenir des informations concernant les trous taraudés et les embases à souder, voir les Informations techniques IN 00.14 sur www.wika.fr.
- Attachez le connecteur et vissez-le à fond à la main. L'assemblage du connecteur coudé est décrite au chapitre 6.2 «Montage électrique».

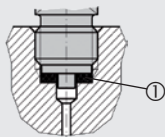


Etanchéité

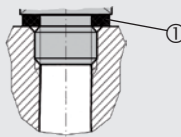
Pour assurer l'étanchéité des raccords process avec filetages parallèles à la surface d'étanchéité \odot , il faut utiliser des joints plats, des bagues d'étanchéité ou les joints à écrasement WIKA. Pour les filetages coniques (par exemple filetage NPT) l'étanchéité sur le filetage se fait en utilisant en plus un matériau d'étanchéité comme par exemple la bande PTFE (selon EN 837-2).

Filetage parallèle

Selon EN 837

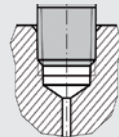


Selon DIN 3852-E



Filetage conique

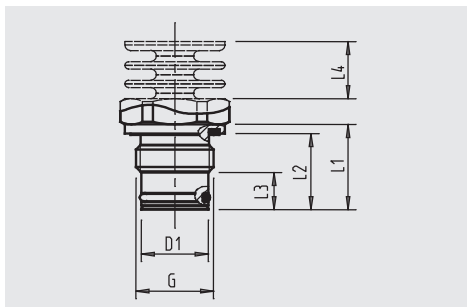
NPT, R et PT



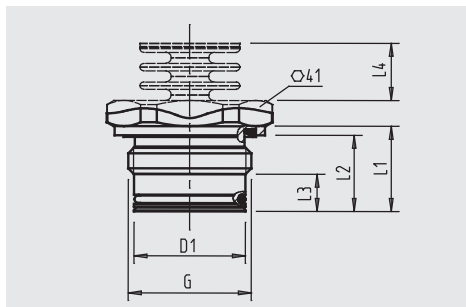
Pour obtenir plus d'informations sur le scellage, voir la fiche de données WIKA AC 09.08 ou sous www.wika.fr.

6. Mise en service, exploitation

Dimensions des raccords process en mm

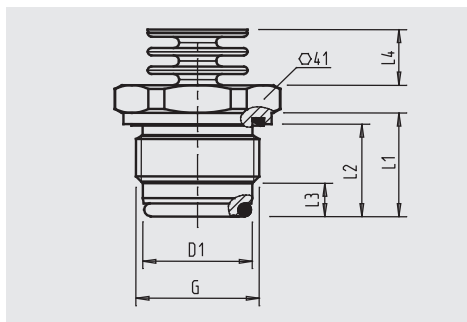


G	D1	L1	L2	L3	L4
G ½ B	18	23	20,5	10	15,5



G	D1	L1	L2	L3	L4
G 1 B	30	23	20,5	10	15,5

FR



G	D1	L1	L2	L3	L4
G 1 B hygiénique	29,5	28	25	9	15,5

Pour obtenir des informations concernant les trous taraudés et les embases à souder, voir les Informations techniques IN 00.14 sur www.wika.fr.


6. Mise en service, exploitation

6.2 Montage électrique

- L'instrument doit être mis à la terre à l'aide du branchement de process.
- Pour instruments avec du sortie tension, utiliser un câble blindé, et, si les câbles sont plus longues que 30 m ou sortent le bâtiment, mettre le blindage à la terre sur au moins une extrémité du câble.
- En Amérique du Nord, utiliser l'instrument effectué sur "circuits classe 2" ou des "unités de puissance classe 2" conformément au CEC (Canadian Electrical Code) ou NEC (National Electrical Code).
- Choisir un diamètre de câble qui correspond au presse étoupe. Assurez-vous que le passe-câble de la prise montée est bien serré et que les joints sont bien présents et intacts. Serrer la liaison filetée et vérifier que le joint est bien fixé pour que l'ensemble soit bien serré.
- Protéger les départs de câble contre la pénétration d'humidité.


Diagrammes de connexion

Connecteur coudé DIN 175301-803 A

		2 fils	3 fils
	U ₊	1	1
	U ₋	2	2
	S ₊	-	3


Section du fil max. 1,5 mm²
Diamètre de câble 6 ... 8 mm

Sortie de câble, non blindé

		2 fils	3 fils
	U ₊	marron	marron
	U ₋	vert	vert
	S ₊	-	blanc

Section du câble 3 x 0,5 mm²
Diamètre de câble 6,8 mm
Longueurs de câble 1,5 m, 3 m, 3 m, 10 m, 15 m

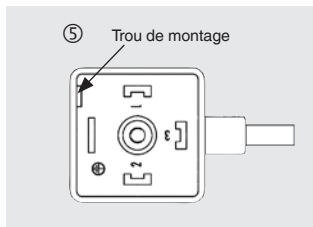
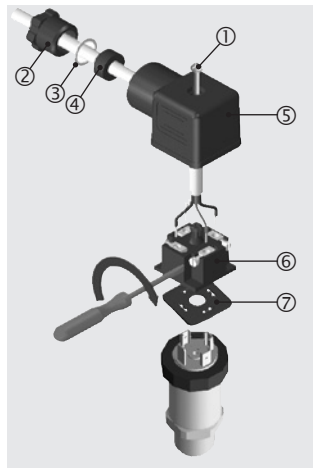
Connecteur M12 x 1 (4-plots)

		2 fils	3 fils
	U ₊	1	1
	U ₋	3	3
	S ₊	-	4

6. Mise en service, exploitation

Pose d'un connecteur coudé DIN 175301-803

1. Desserrer la vis ①.
2. Desserrer le passe-câble ②.
3. Enlever la prise coudée ⑤ + ⑥ de l'instrument.
4. Par le trou de montage ⑧, hisser le bloc terminal ⑥ hors du boîtier ⑤.
5. Passer le câble ayant le diamètre extérieur qui convient (voir "Diagrammes de connexion") à travers le presse-étoupe ②, la bague ③, le joint d'étanchéité ④ et le boîtier ⑤.
6. Relier les extrémités de câble aux bornes de raccordement correspondantes situées sur le bloc terminal ⑥ en respectant la distribution des broches (voir "Diagrammes de connexion" pour la distribution des broches).
7. Presser le bloc terminal ⑥ dans le boîtier ⑤.
8. Serrer le passe-câble ② autour du câble. Assurez-vous que les joints ne sont pas endommagés et que le passe-câble et les joints sont assemblés correctement pour obtenir une protection contre l'intrusion.
9. Placer le joint plat et carré ⑦ sur les fiches de connexion du transmetteur de pression.
10. Glisser l'embase coudée assemblée ⑤ + ⑥ sur les broches de raccordement du transmetteur de pression.
11. Au moyen de la vis ①, visser la prise coudée sur le transmetteur de pression, serrer à la main.



FR

7. Réglage du point zéro et étendue

7. Réglage du point zéro et étendue



N'ajuster le potentiomètre qui règle l'échelle que si on dispose d'un équipement d'étalonnage ayant au moins trois fois la précision du transmetteur de pression.

7.1 Préparation (Illustration A)

D'accéder au potentiomètre, ouvrir l'instrument comme suit:

- Déconnecter l'alimentation électrique ① d'instrument.
- Éliminer l'écrou de serrage ②.
- Sortez soigneusement la prise d'instrument ③.
- Raccorder la prise d'instrument ③ à l'alimentation électrique et une unité d'affichage (par exemple, ampèremètre, voltmètre) suivant le diagramme de connexion.

7.2 Réglage du point zéro (illustration B)

- Aller sur le démarrage de l'étendue de mesure.
- Au moyen du potentiomètre "Z", régler le signal de sortie minimum (par exemple 4 mA)

7.3 Réglage de l'échelle (illustration B)

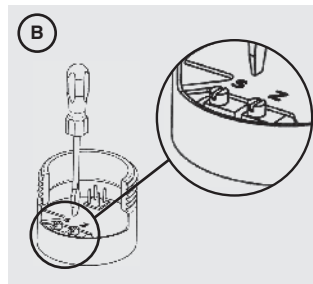
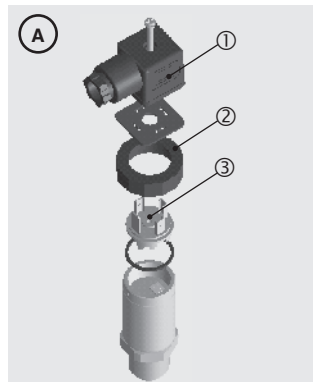
- Aller sur le fin de l'étendue de mesure.
- Au moyen du potentiomètre "S", régler le signal de sortie maximum (par exemple 20 mA)
- Vérifiez le point zéro et s'il y a un écart, corrigez-le.
- Répéter la procédure jusqu'à ce que le point zéro et l'échelle soient réglés correctement.

7.4 Finir le réglage (figure A)

- Débrancher la prise d'instrument ③ et l'unité d'affichage de l'alimentation électrique.
- Poussez soigneusement la prise d'instrument ③ sur l'instrument sans endommager les fils ou les joints d'étanchéité. Les joints d'étanchéité doivent être propres et en bon état pour pouvoir garantir l'indice de protection annoncé.
- Serrer l'écrou de serrage ②.

Après le réglage, vérifiez que le système fonctionne correctement.

Fréquence de réétalonnage recommandée : 1 an



8. Entretien et nettoyage / 9. Dysfonctionnements

8. Entretien et nettoyage

8.1 Entretien

Ce transmetteur de pression ne nécessite aucun entretien.
Les réparations ne doivent être effectuées que par le fabricant.

8.2 Nettoyage



ATTENTION !

- Avant le nettoyage, débrancher correctement l'instrument de l'alimentation, l'éteindre et le déconnecter de l'alimentation en tension.
- Ne pas utiliser d'objets pointus ou durs pour le nettoyage afin de ne pas endommager la membrane du raccord process.
- Nettoyer l'instrument avec un chiffon humide.
- Éviter tout contact des raccordements électriques avec l'humidité.
- Lavez ou nettoyez l'instrument démonté avant de le renvoyer pour protéger le personnel et l'environnement contre l'exposition à des substances résiduelles.
- Les restes de fluides se trouvant dans le transmetteur de pression démonté peuvent mettre en danger les personnes, l'environnement ainsi que l'installation. Prendre des mesures de sécurité suffisantes.



Indications concernant le retour de l'appareil, voir chapitre 10.2 «Retour».

9. Dysfonctionnements

Dans le cas de pannes, vérifier d'abord si le transmetteur de pression est monté correctement, mécaniquement et électriquement.

Dysfonctionnement	Cause possible	Mesure
Pas de signal de sortie	Câble sectionné	Vérifier le perçage
	Pas de / mauvaise alimentation	Corriger l'alimentation
Pas de / mauvais signal de sortie	Erreur de raccordement électrique	Corriger le raccordement

9. Dysfonctionnements

Dysfonctionnement	Cause possible	Mesure
Signal de sortie constant après une variation de pression	Surcharge mécanique causé par une surpression	Remplacez l'instrument
Plage de signaux trop petite / tombe	Surcharge mécanique causé par une surpression	Remplacez l'instrument
	Membrane endommagée	Remplacez l'instrument
Plage de signaux varie/n'est pas précis	Étanchéité / surface d'étanchéité endommagée / souillée, l'étanchéité n'est pas jointif, les filetages sont coincés	Nettoyer l'étanchéité/la surface d'étanchéité, remplacer l'étanchéité
	Sources d'interférence CEM dans l'environnement ; par exemple convertisseur de fréquence	Utiliser un blindage pour l'instrument; câble blindé; Se débarrasser de la source d'interférences.
	Température de fonctionnement trop élevée/trop basse	Respectez les températures admissibles
	Instrument non mis à la terre	Mettez l'instrument à la terre
Déviation du signal de point zéro	Pression du fluide de process qui varie fortement	Amortissement ; consultation auprès du fabricant
	Température de fonctionnement trop élevée/trop basse	Respectez les températures admissibles
	Autre position de montage	Réglage du point zéro.
	Limite de surpression dépassée	Remplacez l'instrument



ATTENTION !

Si des dysfonctionnements ne peuvent pas être éliminés à l'aide des mesures indiquées ci-dessus, le transmetteur de pression doit être immédiatement mis hors service, il faut s'assurer qu'aucun signal n'est plus disponible et le protéger contre toute remise en service involontaire. Contacter dans ce cas le fabricant. S'il est nécessaire de retourner l'instrument au fabricant, respecter les indications mentionnées au chapitre 10.2 "Retour".

10. Démontage, retour et mise au rebut

10. Démontage, retour et mise au rebut



AVERTISSEMENT !

Les restes de fluides se trouvant dans le transmetteur de pression démonté peuvent mettre en danger les personnes, l'environnement ainsi que l'installation. Prendre des mesures de sécurité suffisantes.

10.1 Démontage



AVERTISSEMENT !

Danger de brûlure !

Avant le démontage, laisser refroidir suffisamment l'instrument !

Danger de brûlure lié à la sortie de fluides dangereux chauds.

Déconnectez le transmetteur de pression uniquement une fois que le système a été mis hors pression ! Pendant le démontage, ne pas endommager la membrane du raccord process. Après le démontage et le nettoyage (voir chapitre 8.2 "Nettoyage"), placer le capot de protection sur l'instrument pour protéger la membrane.

10.2 Return



AVERTISSEMENT !

Il faut absolument observer les consignes suivantes lors de l'expédition de l'instrument :

Tous les instruments envoyés à WIKA doivent être exempts de toute substance dangereuse (acides, lixiviats, solutions, etc.).

Pour retourner l'instrument, utiliser l'emballage original ou un emballage adapté pour le transport. Joindre le formulaire de retour rempli à l'instrument.



Le formulaire de retour est disponible sous le titre 'Services' à www.wika.fr.

10.3 Mise au rebut

Une mise au rebut inadéquate peut entraîner des dangers pour l'environnement.

Éliminer les composants des instruments et les matériaux d'emballage conformément aux prescriptions nationales pour le traitement et l'élimination des déchets et aux lois de protection de l'environnement en vigueur.



Ne pas éliminer avec les ordures ménagères. Garantir une élimination correcte selon les prescriptions nationales.



FR

Contenido

1. Información general	70
2. Seguridad	72
3. Datos técnicos	74
4. Diseño y función	80
5. Transporte, embalaje y almacenamiento	80
6. Puesta en servicio, funcionamiento	81
7. Ajuste de punto cero y span	86
8. Mantenimiento y limpieza	87
9. Fallos	87
10. Desmontaje, devolución y eliminación	88

Las declaraciones de conformidad encuentra en nuestra página web www.wika.es

1. Información general

1. Información general

- El transmisor de presión descrito en el manual de instrucciones está construido y fabricado según los conocimientos actuales. Todos los componentes están sujetos a rigurosos criterios de calidad y medio ambiente durante la producción. Nuestros sistemas de gestión están certificados según ISO 9001 e ISO 14001.
- Este manual de instrucciones proporciona indicaciones importantes acerca del manejo del instrumento. Para que el trabajo con este instrumento sea seguro es imprescindible cumplir con todas las instrucciones de seguridad y manejo indicadas.
- Cumplir siempre las normativas sobre la prevención de accidentes y las normas de seguridad en vigor en el lugar de utilización del instrumento.
- El manual de instrucciones es una parte integrante del instrumento y debe guardarse en la proximidad del mismo para que el personal especializado pueda consultarlo en cualquier momento.
- El personal especializado debe haber leído y entendido el manual de instrucciones antes de comenzar cualquier trabajo.
- El fabricante queda exento de cualquier responsabilidad en caso de daños causados por un uso no conforme a la finalidad prevista, la inobservancia del presente manual de instrucciones, un manejo por personal insuficientemente cualificado así como una modificación no autorizada del instrumento.
- Se aplican las condiciones generales de venta incluidas en la documentación de venta.
- Modificaciones técnicas reservadas.
- Para obtener más informaciones consultar:
 - Página web: www.wika.es
 - Hoja técnica correspondiente: PE 81.02
 - Servicio técnico: Tel.: +34 933 938 630
Fax: +34 933 938 666
info@wika.es

ES

1. Información general

Explicación de símbolos



¡ADVERTENCIA!

... indica una situación probablemente peligrosa que puede causar la muerte o lesiones graves si no se la evita.



¡CUIDADO!

... indica una situación probablemente peligrosa que puede causar lesiones leves o medianas, o daños materiales y medioambientales, si no se la evita.



Información

... marca consejos y recomendaciones útiles así como informaciones para una utilización eficaz y libre de fallos.



¡CUIDADO!

... indica una situación probablemente peligrosa que pueda causar quemaduras debido a superficies o líquidos calientes si no se evita.

Abreviaturas

2 hilos	Los dos líneas de conexión se utilizan para la alimentación de corriente. La alimentación se realiza a través de la señal de medición.
3 hilos	Se utilizan dos líneas de conexión para la alimentación de corriente. Una línea de conexión es utilizada para la señal de medición.
U+	Alimentación positiva
U-	Potencial de referencia
S+	Salida analógica

2. Seguridad

2. Seguridad



¡ADVERTENCIA!

Antes del montaje, la puesta servicio y el funcionamiento asegurarse de que se haya seleccionado el transmisor de presión adecuado con respecto a rango de medida, versión y condiciones de medición específicas. La inobservancia puede causar lesiones graves y/o daños materiales.



¡ADVERTENCIA!

- Abrir las conexiones sólo cuando no estén sometidas a presión.
- Tener en cuenta los parámetros de servicio según el capítulo 3 "Datos técnicos".
- Operar el transmisor de presión únicamente dentro de los límites de presión admisibles!



Los distintos capítulos de este manual de instrucciones contienen otras importantes indicaciones de seguridad.

2.1 Uso conforme a lo previsto

El transmisor de presión sirve para convertir la presión en una señal eléctrica en interiores y exteriores.

El instrumento ha sido diseñado y construido únicamente para la finalidad aquí descrita y debe utilizarse en conformidad a la misma. Cumplir las especificaciones técnicas de este manual de instrucciones. Un manejo no apropiado o una utilización del transmisor de presión no conforme a las especificaciones técnicas requiere la inmediata puesta fuera de servicio y la comprobación por parte de un técnico autorizado por WIKA.

No se admite ninguna reclamación debido a un manejo no adecuado.

2.2 Cualificación del personal



¡ADVERTENCIA!

¡Riesgo de lesiones debido a una insuficiente cualificación!

Un manejo no adecuado puede causar considerables daños personales y materiales.

Las actividades descritas en este manual de instrucciones deben realizarse únicamente por personal especializado con la cualificación correspondiente.

Personal especializado

Debido a su formación profesional, a sus conocimientos de la técnica de regulación y medición así como a su experiencia y su conocimiento de las normativas, normas y directivas vigentes en el país de utilización el personal especializado es capaz de ejecutar los trabajos descritos y reconocer posibles peligros por sí solo.

Algunas condiciones de uso específicas requieren conocimientos adicionales, p. ej. acerca de medios agresivos.

2. Seguridad

2.3 Riesgos específicos



¡ADVERTENCIA!

En el caso de sustancias peligrosas a medir, como p. ej. oxígeno, acetileno, sustancias inflamables o tóxicas, así como en instalaciones de refrigeración, compresores, etc., deben observarse en cada caso, además de todas las reglas generales, las disposiciones pertinentes.



¡ADVERTENCIA!

Medios residuales en los transmisores de presión desmontado pueden causar riesgos para personas, medio ambiente e instalación. Tomar adecuadas medidas de precaución.

No utilizar este instrumento en sistemas de seguridad o dispositivos de parada de emergencia. Una utilización incorrecta del instrumento puede causar lesiones.

En caso de fallo es posible que haya medios agresivos con temperaturas extremas o de bajo presión o que haya un vacío en el instrumento.

ES

2.4 Rótulos / Marcados de seguridad

Placa indicadora de modelo

Homologaciones

CAUTION: OPEN CIRCUIT BEFORE REMOVING COVER

CE

SR

Rango de medida

Señal de salida

Alimentación auxiliar

S# n° de serie

P# n° de artículo

Detalles del conexionado

Código 2D

WIKAI

Transmitter S— 11

0 ... 100 bar

4 ... 20 mA

DC 10 ... 30 V

S# 11639110

P# 00639080

1+ 2—

WIKAI Alexander Wiegand SE & Co. KG 03911 Klingenberg Made in Germany **2B**

Si el número de serie o el código 2D quedan ilegibles por daños mecánicos o pintura, ya no se puede mantener la trazabilidad.

3. Datos técnicos

3. Datos técnicos

3.1 Rangos de medición

Presión relativa								
bar	Rango de medición	0 ... 0,1	0 ... 0,16	0 ... 0,25	0 ... 0,4	0 ... 0,6	0 ... 1	0 ... 1,6
	Límite de presión de sobrecarga	1	1,5	2	2	4	5	10
	Rango de medición	0 ... 2,5	0 ... 4	0 ... 6	0 ... 10	0 ... 16	0 ... 25	0 ... 40
	Límite de presión de sobrecarga	10	17	35	35	80	50	80
psi	Rango de medición	0 ... 60	0 ... 100	0 ... 160	0 ... 250	0 ... 400	0 ... 600	
	Límite de presión de sobrecarga	120	200	320	500	800	1.200	
	Rango de medición	0 ... 15	0 ... 20	0 ... 30	0 ... 50	0 ... 60	0 ... 100	0 ... 150
	Límite de presión de sobrecarga	145	145	145	240	240	500	500
psi	Rango de medición	0 ... 160	0 ... 200	0 ... 250	0 ... 300	0 ... 400	0 ... 500	0 ... 600
	Límite de presión de sobrecarga	1.160	1.160	1.160	1.160	1.160	1.160	1.160
	Rango de medición	0 ... 750	0 ... 1.000	0 ... 1.500	0 ... 2.000	0 ... 3.000	0 ... 5.000	0 ... 6.000
	Límite de presión de sobrecarga	1.740	1.740	2.900	4.600	7.200	11.600	11.600

Presión absoluta								
bar	Rango de medición	0 ... 0,25	0 ... 0,4	0 ... 0,6	0 ... 1	0 ... 1,6	0 ... 2,5	0 ... 4
	Límite de presión de sobrecarga	2	2	4	5	10	10	17
	Rango de medición	0 ... 6	0 ... 10	0 ... 16				
psi	Límite de presión de sobrecarga	35	35	80				
	Rango de medición	0 ... 15	0 ... 25	0 ... 50	0 ... 100	0 ... 250		
	Límite de presión de sobrecarga	72,5	145	240	500	1.160		

3. Datos técnicos

Rango de medición de vacío y +/-

bar	Rango de medición	-0,6 ... 0	-0,4 ... 0	-0,25 ... 0	-0,16 ... 0	-0,1 ... 0
	Límite de presión de sobrecarga	4	2	2	1,5	1
	Rango de medición	-1 ... 0	-1 ... +0,6	-1 ... +1,5	-1 ... +3	-1 ... +5
	Límite de presión de sobrecarga	5	10	10	17	35
	Rango de medición	-1 ... +9	-1 ... +15	-1 ... +24		
	Límite de presión de sobrecarga	35	80	50		
psi	Rango de medición	-30 inHg ... 0	-30 inHg ... +30	-30 inHg ... +60	-30 inHg ... +100	-30 inHg ... +160
	Límite de presión de sobrecarga	72,5	240	240	500	1.160
	Rango de medición	-30 inHg ... +200	-30 inHg ... +300			
	Límite de presión de sobrecarga	1.160	1.160			

Resistencia al vacío: Sí

3.2 Señales de salida

Versiones disponibles

Corriente (2 hilos)	4 ... 20 mA
Corriente (3 hilos)	0 ... 20 mA
Tensión (3 hilos)	DC 0 ... 10 V
	DC 0 ... 5 V

Carga

Dependiendo del tipo de señal valen las cargas siguientes:

Corriente (2 hilos): \leq (alimentación auxiliar - 10 V) / 0,02 A

Corriente (3 hilos): \leq (alimentación auxiliar - 3 V) / 0,02 A

Tensión (3 hilos): $>$ máx. señal de salida / 1 mA

3. Datos técnicos

3.3 Alimentación auxiliar

La alimentación auxiliar permitida depende de la señal de salida seleccionada

4 ... 20 mA (2 hilos): DC 10 ... 30 V

0 ... 20 mA (3 hilos): DC 10 ... 30 V

DC 0 ... 10 V: DC 14 ... 30 V

DC 0 ... 5 V: DC 10 ... 30 V

3.4 Condiciones de referencia (según IEC 61298-1)

Temperatura: 15 ... 25 °C (59 ... 77 °F)

Presión atmosférica: 860 ... 1.060 mbar (12,47 ... 15,37 psi)

Humedad atmosférica: 45 ... 75 % h.r.

Alimentación auxiliar: DC 24 V

Posición de montaje: Calibrado en posición vertical con la conexión a proceso hacia abajo.

3.5 Datos de exactitud

Exactitud en las condiciones de referencia

Estándar	$\leq \pm 0,5$ % del span
Opción	$\leq \pm 0,25$ % del span ¹⁾

1) Sólo para rangos $\geq 0,25$ bar

Incluye alinealidad, histéresis, desviación del punto cero y de valor final (corresponde a desviación del valor de medición según IEC 61298-2). Calibrado en posición vertical con la conexión a proceso hacia abajo.

Alinealidad (según IEC 61298-2): $\leq \pm 0,2$ % del span BFSL

No repetibilidad: $\leq \pm 0,1$ % del span

Deriva a largo plazo: $\leq \pm 0,2$ % del span/año

Error de temperatura en el rango de temperatura nominal

Rango de temperatura nominal: 0 ... 80 °C (32 ... 176 °F)

Coefficiente de temperatura medio del punto cero:

Rango de medición $> 0,25$ bar: $\leq \pm 0,2$ % del span/10 K

Rango de medición $\leq 0,25$ bar: $< \pm 0,4$ % del span/10 K

Coefficiente de temperatura medio del span: $\leq \pm 0,2$ % del span/10 K

3. Datos técnicos

Ajustabilidad: punto cero y span

El ajuste se realiza a través del potenciómetro del instrumento. No es posible en los equipos con salida de cable IP68

Punto cero: $\pm 5\%$

Span: $\pm 5\%$

3.6 Tiempo de respuesta

Tiempo de establecimiento: ≤ 2 ms

3.7 Condiciones de utilización

Clases de protección (según IEC 60529)

El tipo de protección depende del tipo de conector eléctrico.

Conexión eléctrica	Tipo de protección
Conector angular DIN 175301-803 A	IP65
Conector circular, M12 x 1 (4-pin)	IP67
Salida de cable IP67	IP67
Salida de cable IP68	IP68 ¹⁾

1) No incluye potenciómetros de ajuste

El tipo de protección indicado sólo es válido en cuando los conectores eléctricos están correctamente conectados al cableado.

Resistencia a la vibración

Conexiones a proceso sin torre de refrigeración: 20 g (IEC 60068-2-6, con resonancia)

Conexiones a proceso con torre de refrigeración: 10 g (IEC 60068-2-6, con resonancia)

Resistencia a choques

Conexiones a proceso sin torre de refrigeración: 1.000 g (IEC 60068-2-27, mecánica)

Conexiones a proceso con torre de refrigeración: 400 g (IEC 60068-2-27, mecánica)

ES

3. Datos técnicos

Rangos de temperatura admisibles

Cumple también con la norma EN 50178, tabla 7, operación (C) 4K4H, almacenamiento (D) 1K4, transporte (E) 2K3.

Conexiones a proceso sin torre de refrigeración

Medio		
■ Estándar	-30 ... +100 °C	-22 ... +212 °F
■ Opción	-30 ... +125 °C	-22 ... +257 °F
Ambiente	-20 ... +80 °C	-4 ... +176 °F
Almacenamiento	-40 ... +100 °C	-40 ... +212 °F

Conexiones a proceso con torre de refrigeración

Medio	-20 ... +150 °C	-4 ... +302 °F
Ambiente	-20 ... +80 °C	-4 ... +176 °F
Almacenamiento	-40 ... +100 °C	-40 ... +212 °F

3.8 Conexiones eléctricas

Resistencia contra cortocircuitos: S₊ contra U.

Protección contra inversión de polaridad: U₊ contra U.

Protección contra sobretensiones: DC 36 V

Tensión de aislamiento: DC 500 V con alimentación de corriente NEC Class 02 (tensión baja y corriente baja máx 100 VA también en situación de fallo)

3.9 Conexiones a proceso

Rosca	Rangos de medición	
G ½ B membrana aflorante ¹⁾	0 ... 2,5 a 0 ... 600 bar	0 ... 50 a 0 ... 6.000 psi
G 1 B membrana aflorante ¹⁾	0 ... 0,1 a 0 ... 1,6 bar	0 ... 15 psi
Hygienic G 1 B membrana aflorante (corresponde a estándares sanitarios 3-A)	0 ... 0,1 a 0 ... 25 bar	0 ... 15 a 0 ... 300 psi

1) Conexión a proceso también disponible con torre de refrigeración.

3. Datos técnicos

Torres de refrigeración

Para temperaturas del medio más elevadas (véase “Condiciones de uso”) están disponibles conexiones a proceso con torre de refrigeración.

Junta

Conexión a proceso	Temperatura del medio máx.	Material de sellado y resistencia máx. a la compresión		
		Estándar	Opción 1	Opción 2
sin torre de refrigeración	hasta 100 °C (212 °F)	NBR hasta 600 bar (8.700 psi)	FKM/FPM ¹⁾ hasta 600 bar (8.700 psi)	EPDM hasta 200 bar (2.900 psi)
	hasta 125 °C (257 °F)	NBR hasta 600 bar (8.700 psi)	FKM/FPM ¹⁾ hasta 400 bar (5.800 psi)	EPDM hasta 200 bar (2.900 psi)
con torre de refrigeración	hasta 150 °C (302 °F)	FKM/FPM ¹⁾ hasta 300 bar (4.350 psi)	EPDM hasta 200 bar (2.900 psi)	-
Hygienic	hasta 150 °C (302 °F)	EPDM hasta 200 bar (2.900 psi)	-	-

1) Temperatura ambiente y del medio mínima admisible: -20°C / -4 °F

Junta tórica para conexión a proceso G ½ B membrana aflorante opcionalmente disponible con material de sellado FFKM (carga de presión máxima 600 bar (8.700 psi) para todas las temperaturas del medio)

Las juntas listadas en “Estándar” están comprendidas en el volumen de suministro.

Piezas en contacto con el medio

- G ½ B y G 1 B membrana aflorante: 316TI
- Hygienic G 1 B membrana aflorante: 316L
- Los materiales de sellado véase “conexiones”

Líquido interno de transmisión de presión

Versiones disponibles	
Estándar	Aceite sintético
Opción	Líquido transmisor de presión apto para procesos alimentarios según FDA 21 CFR 178.3750

3. ... / 4. Diseño y función / 5. Transporte, embalaje y almacenamiento

3.10 Declaración de conformidad UE

- Directiva de CEM ¹⁾
- EN 61326 Emisión (grupo 1, clase B) y resistencia a interferencias (ámbito industrial)
- Directiva de equipos a presión

1) En presencia de campos electromagnéticos potentes en el rango de frecuencia de < 2,7 GHz pueden producirse errores de medición importantes de hasta el 1 %. No instale los instrumentos cerca de fuentes de interferencia electromagnética potentes (p. ej., aparatos emisores, equipos radioeléctricos) o utilice un filtro de corriente.

Observar las especificaciones en el albarán para números de tipos especiales, p. ej. S-11000.

Para más datos técnicos véase la hoja técnica de WIKA PE 81.02 y la documentación de pedido.

ES

4. Diseño y función

4.1 Descripción

La presión actual se mide a través de la deformación de la membrana en el elemento sensor. Mediante la alimentación auxiliar, esta deformación de la membrana se transforma en una señal eléctrica. La señal de salida del transmisor de presión está amplificada y estandarizada. La señal de salida es proporcional a la presión medida.

4.2 Volumen de suministro

Comparar mediante el albarán si se han entregado todas las piezas.

5. Transporte, embalaje y almacenamiento

5.1 Transporte

Comprobar si el transmisor de presión presenta eventuales daños causados en el transporte. Notificar daños obvios de forma inmediata.

5.2 Embalaje

No quitar el embalaje hasta justo antes del montaje.

Guardar el embalaje ya que es la protección ideal durante el transporte (por ejemplo si el lugar de instalación cambia o si se envía el instrumento para posibles reparaciones).

5. Transporte, embalaje ... / 6. Puesta en servicio, funcionamiento

5.3 Almacenamiento

Condiciones admisibles en el lugar de almacenamiento:

- Temperatura de almacenamiento: véase capítulo 3 "Datos técnicos"
- Humedad: 45... 75 % humedad relativa ambiente

Evitar lo siguiente:

- Vibración mecánica, impacto mecánico (colocación brusca)
- Hollín, vapor, polvo y gases corrosivos
- Entorno potencialmente explosivo, atmósferas inflamables

Almacenar el transmisores de presión en su embalaje original en un lugar que cumple las condiciones arriba mencionadas. Si no se dispone del embalaje original, empaquetar y almacenar el dispositivo como sigue:

1. Aplicar el tapón protector en la conexión al proceso
2. Colocar el instrumento junto con el material aislante en el embalaje.



¡ADVERTENCIA!

Antes de almacenar el instrumento (después del funcionamiento), eliminar todos los restos de medios adherentes. Esto es especialmente importante cuando el medio es nocivo para la salud, como p. ej. cáustico, tóxico, cancerígeno, radioactivo, etc.

6. Puesta en servicio, funcionamiento



¡CUIDADO!

Comprobar el transmisor de presión visualmente antes de utilizarlo.

- Si el líquido se derrama es probable que la membrana esté dañada.
- Comprobar si la membrana de la conexión al proceso presenta daños.
- Utilizar el transmisor de presión sólo en condiciones absolutamente seguras.

6. Puesta en servicio, funcionamiento

6.1 Montaje mecánico

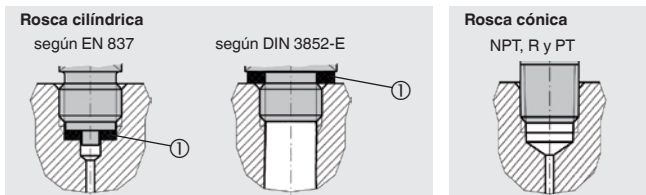
- Retirar la tapa protectora tan solo poco antes del montaje.
- Asegurar que la membrana de la conexión al proceso no sufra daños durante el montaje.
- Las superficies de obturación en los transmisores de presión y en el punto de medición deben estar siempre libres de suciedad.
- Atornillar y desatornillar el instrumento únicamente aplicando la llave en las superficies previstas para ello. Nunca utilizar la caja o el torre de refrigeración como superficie de manipulación.
- El par de giro correcto depende de la dimensión de la conexión así como de la junta utilizada (forma/material).
- No bloquear las vueltas de la rosca al enroscar.
- Las indicaciones sobre taladros para roscar y para soldar se detallan en nuestra información técnica IN 00.14 en www.wika.es.
- Enchufar el conector y atornillarlo a mano. El montaje del conector angular se describe en el capítulo 6.2 “Montaje eléctrico”.



ES

Sellado

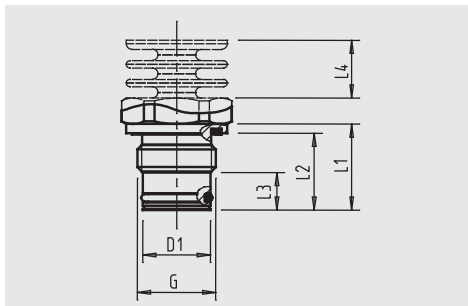
Para el sellado de las conexiones al proceso con roscas rectas en la superficie de obturación ① se deben instalar juntas planas, arandelas o juntas perfiladas WIKA. Para roscas cónicas (por ejemplo, roscas NPT) se realiza el cierre en la rosca con material de cierre complementario, como por ejemplo, cinta PTFE (EN 837-2).



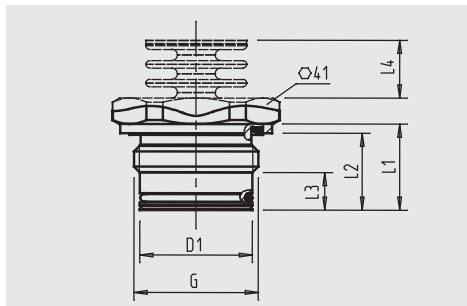
Para notas acerca de las juntas, véase la hoja técnica WIKA AC 09.08 o www.wika.es.

6. Puesta en servicio, funcionamiento

Dimensiones de las conexiones en mm

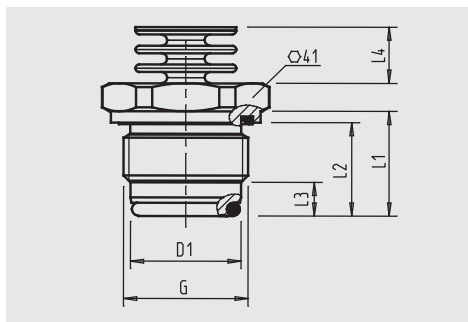


G	D1	L1	L2	L3	L4
G ½ B	18	23	20,5	10	15,5



G	D1	L1	L2	L3	L4
G 1 B	30	23	20,5	10	15,5

ES



G	D1	L1	L2	L3	L4
G 1 B Hygienic	29,5	28	25	9	15,5

Las indicaciones sobre taladros para roscar y para soldar están en nuestra información técnica IN 00.14 en www.wika.es.

6. Puesta en servicio, funcionamiento

6.2 Montaje eléctrico

- Poner a tierra el instrumento a través de la conexión.
- Utilizar los instrumentos con salida de tensión con un cable blindado y poner a tierra el blindaje en un lado del cable como mínimo si los cables tienen una longitud superior a 30 m o si salen del edificio.
- En América del Norte, conectar el instrumento a "Class 2 Circuits" o "Class 2 Power Units" según CEC (Canadian Electrical Code) o NEC (National Electrical Code).
- Seleccionar el correcto diámetro de cable para la entrada de cable del conector. Prestar atención a que el prensaestopos del conector montado esté correctamente fijado y que las juntas estén presentes y no dañadas. Apretar el prensaestopos y comprobar si las juntas están fijadas bien para garantizar el tipo de protección.
- Asegurarse de que no penetre humedad en las salidas en el extremo del cable.

ES

Esquemas de conexiones

Conector angular DIN 175301-803 A

		2 hilos	3 hilos
	U ₊	1	1
	U ₋	2	2
	S ₊	-	3

Sección de hilo max. 1,5 mm²
Diámetro de cable 6 ... 8 mm

Salida de cable, sin blindar

		2 hilos	3 hilos
	U ₊	marrón	marrón
	U ₋	verde	verde
	S ₊	-	blanco

Sección de hilo 3 x 0,5 mm²
Diámetro de cable, 6,8 mm
Longitudes de cable 1,5 m, 3 m, 5 m, 10 m, 15 m

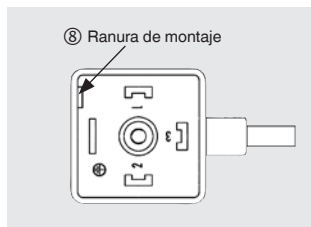
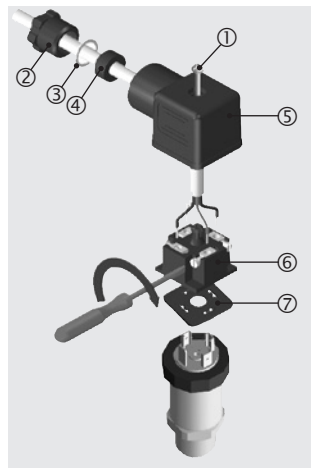
Conector eléctrico, M12 x 1 (de 4 polos)

		2 hilos	3 hilos
	U ₊	1	1
	U ₋	3	3
	S ₊	-	4

6. Puesta en servicio, funcionamiento

Montaje de la conector de salida lateral DIN 175301-803

1. Soltar el tornillo ①
2. Soltar el prensaestopas ②
3. Sacar el conector angular ⑤ + ⑥ del instrumento.
4. Quitar el bloque de terminales ⑧ del conector angular ⑥ sacándolo de la ranura de montaje ⑤.
5. Pasar el cable con el diámetro exterior correspondiente (véase "Esquema de conexiones") a través del prensaestopas ②, el anillo ③, la junta ④ y la caja ⑤.
6. Conectar los extremos asignación de cable en forma correspondiente en los bornes de conexión del bloque de terminales ⑥ (Asignación véase el cuadro "Esquemas de conexiones")
7. Apretar el conector angular ⑥ en la caja ⑤.
8. Cerrar el prensaestopas ②. Asegurarse de que las juntas no estén dañadas y que el prensaestopas y las juntas estén montados correctamente para garantizar el tipo de protección.
9. Poner la junta plana cuadrada ⑦ por encima de los conectores del transmisor de presión.
10. Deslizar el conector angular montado ⑤ + ⑥ sobre los conectores del transmisor de presión.
11. Usando el tornillo ①, atornillar a mano el conector angular al transmisor de presión.



ES

14043046.02 08/2019 EN/DE/FR/ES

7. Ajuste de punto cero y span

7. Ajuste de punto cero y span



Solo utilizar el potenciómetro para ajustar el span si se dispone de un equipo de calibración con una precisión mejor que el triple de la precisión del transmisor de presión.

7.1 Preparación (Ilustración A)

Para acceder a los potenciómetros, abrir el instrumento como sigue:

- Desconectar la conexión eléctrica ① del instrumento
- Soltar ② el anillo roscado.
- Retire con cuidado el conector ③ desde el instrumento
- Conectar el conector ③ a la alimentación auxiliar y a una unidad indicadora (p. ej. un amperímetro, un voltímetro) según el esquema de conexión.

7.2 Ajuste de punto cero (ilustración B)

- Alcanzar el valor inicial del rango de medida
- Ajustar mediante el potenciómetro "Z" la señal mínima de salida (p. ej. 4 mA).

7.3 Ajuste span (ilustración B)

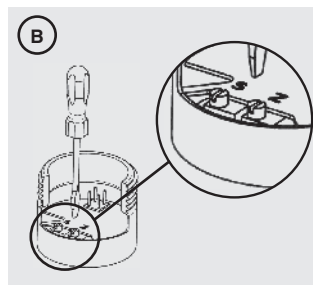
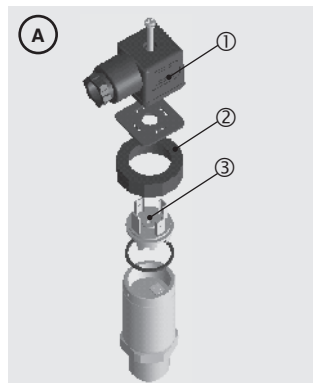
- Alcanzar el valor final del rango de medida
- Acerca de los potenciómetro "S" ajustar la potencia máxima (p. ej. 20 mA)
- Comprobar el punto cero y volver a ajustar en caso de desviación.
- Repetir el proceso hasta que el punto cero y el span estén correctamente ajustados.

7.4 Finalizar el ajuste (Abbildung A)

- Desconectar el conector ③ de la alimentación auxiliar y unidad indicadora.
- Cuidadosamente, introducir el conector ③ en el instrumento sin dañar los hilos conductores ni las juntas. Las juntas tienen que estar limpias y sin daños para asegurar el tipo de protección indicado.
- Apretar el anillo de empuñadura ②

Tras el ajuste comprobar si el sistema trabaja correctamente.

Ciclo de recalibración recomendado: 1 año



8. Mantenimiento y limpieza

8. Mantenimiento y limpieza

8.1 Mantenimiento

El transmisor de presión no precisa mantenimiento.
Todas las reparaciones las debe efectuar únicamente el fabricante.

8.2 Limpieza



¡CUIDADO!

- Antes de proceder con la limpieza hay que separar debidamente el instrumento de cualquier fuente de presión, apagarlo y desenchufarlo de la alimentación auxiliar.
- No utilizar ningún objeto puntiagudo o duro para efectuar la limpieza, para evitar cualquier daño de la membrana de la conexión al proceso.
- Limpiar el instrumento con un trapo húmedo.
- Asegurarse de que las conexiones eléctricas no se humedecen.
- Una vez desmontado el instrumento se debe enjuagar y limpiar antes de devolverlo para proteger a las personas y el medio ambiente contra medios residuales de medición.
- Medios residuales en el transmisores de presión desmontado pueden causar riesgos para personas, medio ambiente e instalación. Tomar adecuadas medidas de precaución.



Véase el capítulo 10.2 "Devolución" para obtener más información acerca de la devolución del instrumento.

9. Fallos

En caso de averías, comprobar en primer lugar la conexión mecánica y eléctrica.

Fallo	Posible causa	Medida
Ninguna señal de salida	Cable roto	Comprobar el paso
	Energía auxiliar errónea/ausente	Corregir la corriente auxiliar
Señal de salida ausente/errónea	Fallo de cableado	Corregir el cableado
La señal de salida no cambia cuando cambia la presión	Sobrecarga mecánica por sobrepresión	Sustituir el instrumento

9. Fallos

Fallo	Posible causa	Medida
Alcance de señal demasiado pequeño/ cae	Sobrecarga mecánica por sobrepresión	Sustituir el instrumento
	Daños en la membrana	Sustituir el instrumento
	Limpiar la junta/superficie dañada/sucia, la junta no asienta correctamente, vueltas de rosca torcidas	Limpiar la junta/superficie, reemplazar la junta
Span de señal oscilante/impreciso	Fuentes de interferencias CEM en el entorno, (p. ej. convertidor de frecuencia)	Blindar el instrumento; blindaje del cable; quitar la fuente de interferencias
	Temperaturas de uso excesivas / insuficientes	Observar las temperaturas admisibles
	Instrumento no conectado a tierra	Conectar a tierra el instrumento
	Presión del medio de proceso fuertemente ciclante	Amortiguación; asesoramiento por parte del fabricante
Desviación de señal de punto cero	Temperaturas de uso excesivas / insuficientes	Observar las temperaturas admisibles
	Posición de montaje diferente	Corregir punto cero
	Límite de presión de sobrecarga excedido	Sustituir el instrumento



¡CUIDADO!

Si no es posible corregir los defectos mediante las medidas detalladas arriba, se debe poner el transmisor de presión inmediatamente fuera de servicio y prevenir una puesta en servicio errónea. En tal caso se debe consultar al fabricante. Si desea devolver el instrumento, observar las indicaciones en el capítulo 10.2 "Devolución".

10. Desmontaje, devolución y eliminación



¡ADVERTENCIA!

Medios residuales en el transmisor de presión desmontado pueden causar riesgos para personas, medio ambiente e instalación.

Tomar adecuadas medidas de precaución.

10. Desmontaje, devolución y eliminación

10.1 Desmontaje



¡ADVERTENCIA!

¡Riesgo de quemaduras!

¡Dejar enfriar el instrumento lo suficiente antes de desmontarlo!

Peligro debido a medios muy calientes que se escapan durante el desmontaje.

¡Desmontar los instrumentos sólo si no está sometidos a presión!

Durante el desmontaje, no dañar la membrana de la conexión al proceso. Tras el desmontaje y la limpieza (véase capítulo 8.2 "Limpieza"), colocar la tapa protectora en el instrumento para proteger la membrana.

10.2 Devolución



¡ADVERTENCIA!

Es imprescindible observar lo siguiente para el envío del instrumento:

Todos los instrumentos enviados a WIKA deben estar libres de sustancias peligrosas (ácidos, lejías, soluciones, etc.).

Utilizar el embalaje original o un embalaje adecuado para la devolución del instrumento.

Rellenar el formulario de devolución y adjuntarlo al instrumento.



El formulario de devolución está disponible en la sección 'Servicio' de internet: www.wika.es.

10.3 Eliminación de residuos

Una eliminación incorrecta puede provocar peligros para el medio ambiente.

Eliminar los componentes de los instrumentos y los materiales de embalaje conforme a los reglamentos relativos al tratamiento de residuos y eliminación vigentes en el país de utilización.



No eliminar en las basuras domésticas. Garantizar una eliminación correcta según las prescripciones nacionales.



WIKA subsidiaries worldwide can be found online at www.wika.com.
WIKA Niederlassungen weltweit finden Sie online unter www.wika.de.
La liste des filiales WIKA dans le monde se trouve sur www.wika.fr.
Sucursales WIKA en todo el mundo puede encontrar en www.wika.es.



WIKAL Alexander Wiegand SE & Co. KG
Alexander-Wiegand-Strasse 30
63911 Klingenberg • Germany
Tel. +49 9372 132-0
Fax +49 9372 132-406
info@wika.de
www.wika.de