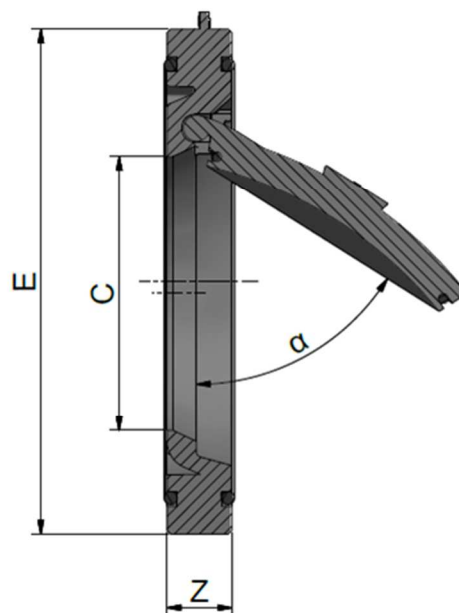
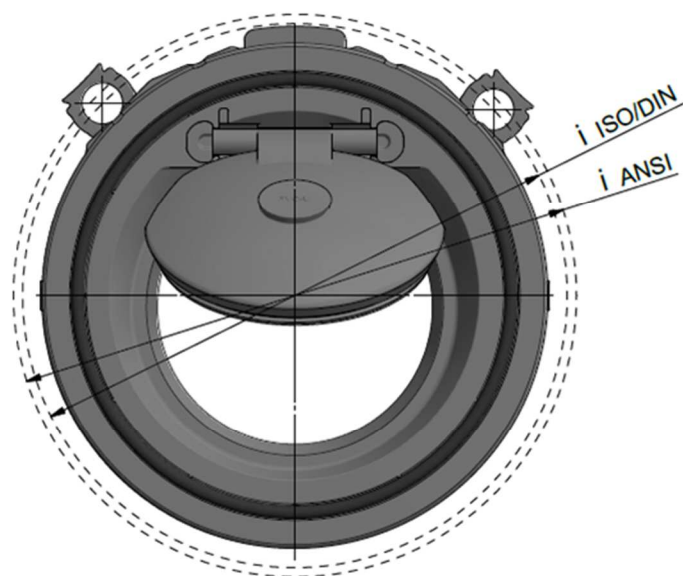


PVC-U Wafer check valves CK

PVC-U Valvole di non ritorno a clapet CK

INSTALLATION BETWEEN ISO/DIN AND ANSI FLANGES INSTALLAZIONE CON FLANGE ISO/DIN E ANSI

Rev. Nov 2019



Code EPDM	d	DN	PN	E	C	Z	α PN6	α PN 10	i DIN	i ANSI	n	bolts	Weight (g)
CDRCKD0750	75	65	10	106	46	20	80°	75°	145	140	4	M16 x 120	170
CDRCKD0900	90	80	10	124	58	20	80°	77°	160	152	4	M16 x 120	207
CDRCKD1100	110	100	10	148	74	23	79°	76°	190	190	8	M16 x 120	355
CDRCKD1400	140	125	10	188	94	25	80°	76°	210	216	8	M16 x 130	700
CDRCKD1600	160	150	10	213	112	30	77°	75°	240	241	8	M20 x 160	1125
CDRCKD2250	200/225	200	10	274	149	35	60°	60°	295	298,5	8	M20 x 160	2003



Certifications and approvals: only for items declared on Official Listing or certificates. / *Certificazioni: solo per gli articoli dichiarati nelle Official Listing o nei certificati stessi.*
NSF approval is not applicable to valve with spring. / *La certificazione NSF non è applicabile alla versione con molla.*

All descriptions and illustrations in this publication are intended for guidance only and shall not constitute a 'sale by description'. All dimensions given are nominal, while changes can be done on the information, products and specifications from time to time for a variety of reasons, without prior notice. The information in this publication is provided 'as is' on the revision date stated on the sheet. Updates will not be issued automatically. This information is not intended to have any legal effect, whether by way of advice, representation or warranty (express or implied). We accept no liability whatsoever (to the extent permitted by law) if you place any reliance on this publication you must do so at your own risk. All rights reserved. Copyright in this publication belongs to Polypipe Italia and all such copyright may not be used, sold, copied or reproduced in whole or part in any manner in any media to any person without prior consent. **EFFAST** is a registered trademark."