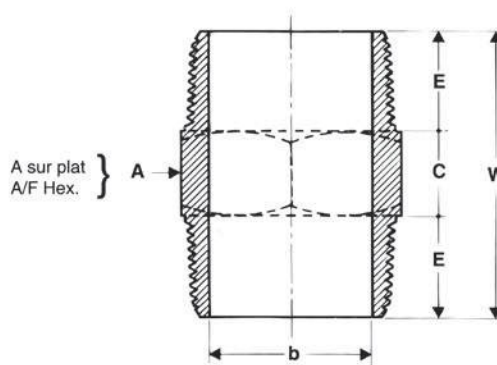


HEXAGONAL NIPPLE

Mamelon



Class 3000 lbs. - 6000 lbs.

Dimensions : BS 3799

Thread: ASME B 1.20.1

Nominal pipe size Diamètre nominal		A (mini)		E (mini)		C (mini)		W (mini)		B*			
inches - pouces	mm-mm	inc.	mm	inc.	mm	inc.	mm	inc.	mm	3000		6000	
										inc.	mm	inc.	mm
1/8	6	0.43	11	0.39	10	0.24	6	1.02	26	0.20	5	0.08	2
1/4	8	0.59	15	0.59	15	0.24	6	1.42	36	0.31	8	0.24	6
3/8	10	0.71	18	0.63	16	0.31	8	1.57	40	0.43	11	0.31	8
1/2	15	0.87	22	0.79	20	0.31	8	1.89	48	0.55	14	0.43	11
3/4	20	1.06	27	0.83	21	0.39	10	2.05	52	0.75	19	0.51	13
1	25	1.38	35	0.98	25	0.39	10	2.36	60	0.94	24	0.67	17
1 1/2	40	1.97	50	1.02	26	0.63	16	2.68	68	1.50	38	1.18	30
2	50	2.44	62	1.06	27	0.67	17	2.80	71	1.93	49	1.54	39

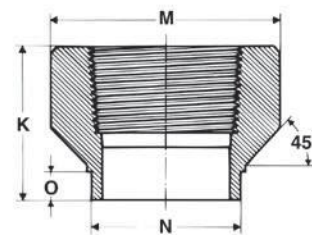
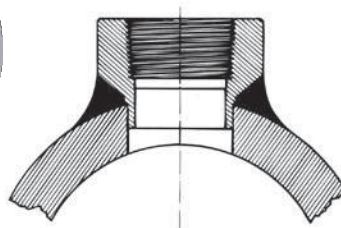
WELDING BOSS

Bossage à souder

From 1-4" to 2" O=0.375 in
De 1-4" à 2" O=9,5 mm

Class 3000 lbs. - 6000 lbs.

Thread: ASME B 1.20.1



Nominal pipe size Diamètre nominal	3000 - 6000					
	K ⁽¹⁾		M ⁽¹⁾		N ⁽¹⁾	
	inches	mm	inches	mm	inches	mm
1/4	1.18	30,0	1.10	28	0.55	14,0
3/8	1.18	30,0	1.26	32	0.69	17,4
1/2	1.32	33,5	1.50	38	0.85	21,6
3/4	1.40	35,5	1.77	45	1.06	26,9
1	1.69	43,0	2.48	63	1.32	33,6
1 1/4	1.89	48,0	2.68	68	1.67	42,4
1 1/2	2.00	51,0	3.00	76	1.91	48,5
2	2.26	57,5	3.74	95	2.40	60,9