



SABIANA
IL CLIMA AMICO

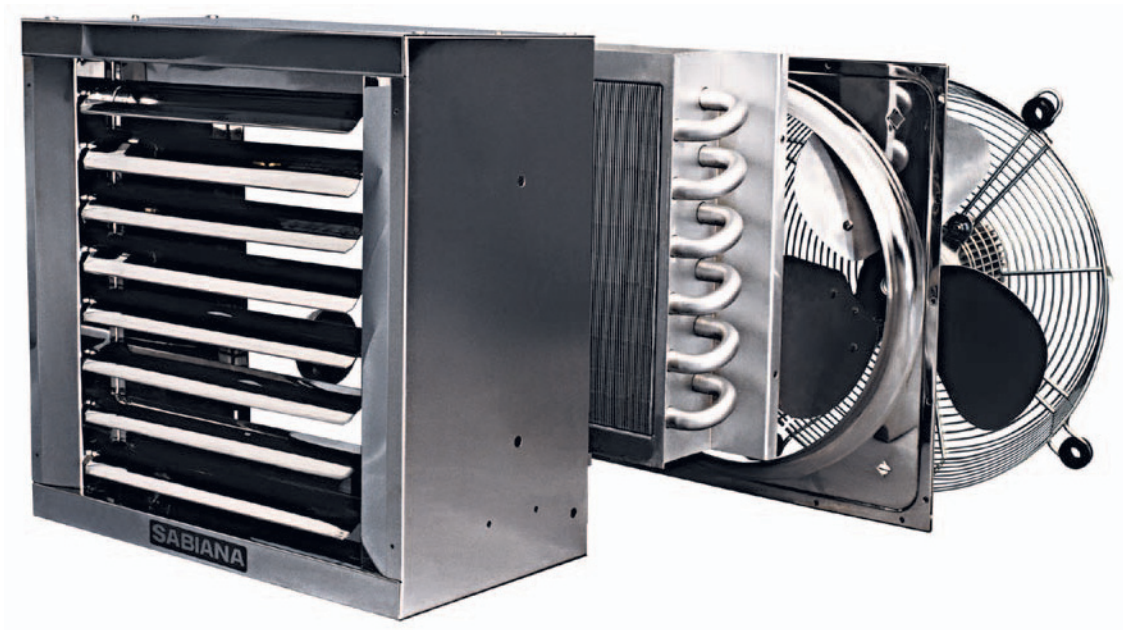
A leading brand of  AFG



AIX Stainless Steel Unit Heater

AIX Sabiana unit heaters are made with stainless steel structures and coils with stainless steel pipes and flanged fittings, and aluminium fins. They are available in four sizes, for a total of eight models. These units can be supplied with hot water, high-temperature hot water and steam.

They are especially suitable for working environments in which these types of system configurations are required.



Technical characteristics of the main components:

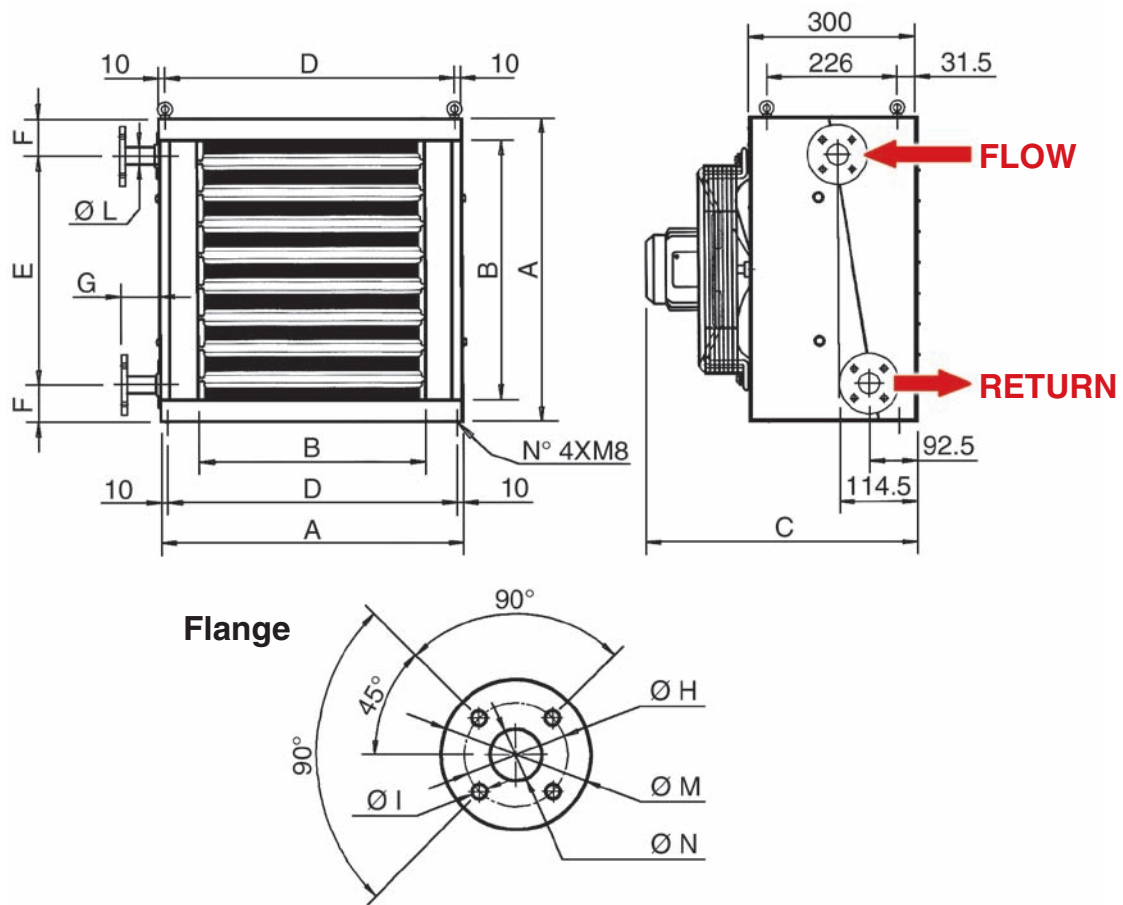
- The main casing is manufactured from AISI 304 stainless steel, 1 mm thick.
- The adjustable louvers are held firm by spring loaded pivots and they are mounted in horizontal position on the front part of the unit. The fins are pressed from aluminium sheet, bonded onto the AISI 304 stainless steel tubes facilitating the maximum transfer contact. The AIX units are supplied with flanged connections.
- The standard motor is hermetically sealed and is maintenance free. The motor is 2 speeds, 3 phase, single voltage, 400V 50Hz, protection IP55, with klixon thermal protection.

AIX identification code

Reference: 46I42

46	I	4	2
MOTOR 4/6 POLE (1350/1000 r.p.m.)	RANGE AIX	SIZE 4	ROWS 2

Dimensions, Weight, Water content



MODEL	A	B	C	D	E	F	G	ØH	ØI	ØL	ØM	ØN	WEIGHT Kg		WATER CONTENT Liters	
													1R	2R	1R	2R
46 21-22	526	393	468	506	330	98	66	65	14	1 1/2"	95	15	26	30	1,7	2,5
46 41-42	636	501	468	616	497	69.5	66	85	14	1"	115	25	33	38	2,9	4,2
46 61-62	743	609	468	723	588	44.5	56	100	18	1 1/4"	140	32	45	51	5,3	5,9
68 91-92	1011	877	576	991	832	89.5	87	110	18	1 1/2"	150	40	82	92	8,2	12

AIX TECHNICAL SPECIFICATIONS

HEATING EMISSION

MODEL		46 I 21		46 I 41		46 I 61		68 I 91	
Mounting height	m	2.5 ÷ 4		3 ÷ 4.5		3 ÷ 5		3.5 ÷ 5.5	
Speed	r.p.m.	1350	1000	1350	1000	1350	1000	900	700
Air flow	m ³ /h	2300	1500	3900	2600	6900	4400	10200	7600
Throw	m	11	7.5	16	12	25	18	28	21
Noise level at 5 m	dB(A)	59	51	64	54	69	60	68	62
Steam 3 bars	kW	14.3	11.9	23.4	19.8	37	31	68.4	60.5
Entering air temperature +15°C	Leaving air temp. °C	33.3	38.3	32.6	37.4	30.8	35.7	34.7	38.4
Steam 6 bars	kW	16.5	13.8	27	22.9	42.7	35.9	79	70
Entering air temperature +15°C	Leaving air temp. °C	36.1	42	35.4	40.9	33.2	39	37.8	42.1

MODEL		46 I 22		46 I 42		46 I 62		68 I 92	
Mounting height	m	2.5 ÷ 4		3 ÷ 4.5		3 ÷ 5		3.5 ÷ 5.5	
Speed	r.p.m.	1350	1000	1350	1000	1350	1000	900	700
Air flow	m ³ /h	2100	1400	3600	2400	6300	4100	9200	7000
Throw	m	11	7.5	16	12	25	18	28	21
Noise level at 5 m	dB(A)	59	51	64	54	69	60	68	62
Water temperature 85/75°C	kW	13	10.6	21.1	17.2	36.5	29.3	59.2	51.4
Entering air temperature +15°C	Leaving air temp. °C	33.2	37.3	32.2	36.1	32	36	33.9	36.6
Water temperature 130/100°C	kW	18.9	15.4	30.2	24.7	53.3	43	84.1	74
Entering air temperature +15°C	Leaving air temp. °C	41.5	47.3	39.7	45.3	39.9	45.8	41.9	46.1

Controls

Delta-Star switch
for two speed Delta-Star motors, 4/6 or 6/8 poles.

Manual two-position switch
for two speed Delta-Star motors, 4/6 or 6/8 poles.

BS 2S without thermostat
BS 2-ST with thermostat

Multi-function automatic control panel
for two speed Delta-Star motors, 4/6 or 6/8 poles.

BSA-B without timer
BSA-A with manual daily timer
BSA-D with digital weekly timer

The descriptions and illustrations provided in this publication are not binding: Sabiana reserves the right, whilst maintaining the essential characteristics of the types described and illustrated, to make, at any time, without the requirement to promptly update this piece of literature, any changes that it considers useful for the purpose of improvement or for any other manufacturing or commercial requirements.



SABIANA
IL CLIMA AMICO

A leading brand of  **AFG**

Sabiana s.p.a. • via Piaue, 53 • 20011 Corbetta • Milano • Italy

phone +39.02.97203.1 r.a. / +39.02.97270429 / +39.02.97270576

fax +39.02.9777282 / +39.02.9772820

www.sabiana.it • info@sabiana.it