

Series MC filter-regulators

Ports G1/4, G3/8 and G1/2

Modular

Metal bowl and bayonet-type mounting



Series MC filter regulators are available with ports G1/4, G3/8 and G1/2. They combine the features of the filters and regulators and have smaller overall dimensions than the two separate components.

GENERAL DATA

Construction	compact modular with filtering element in HDPE - diaphragm type			
Materials	zama, NBR, technopolymer			
Ports	G1/4	G3/8	G1/2	
Condensate capacity	cm ³	28	72	72
Weight	kg	0,443	0,948	0,928
Pressure gauge ports	G1/8			
Mounting	vertical in-line or wall-mounting			
Operating temperature	-5°C + 50°C at 10 bar (with the dew point of the fluid lower than 2°C at the min. working temperature)			
Porosity of filtering element	25 µm standard - 5 µm upon request			
Draining of condensate	manual - semi-automatic standard			
Finishing	enamelled			
Inlet pressure	with standard drain and protected depressurisation 0,3 + 16 bar with depressurisation 0,3 + 10 bar with automatic drain 1,5 + 12 bar for G3/8 and G1/2			

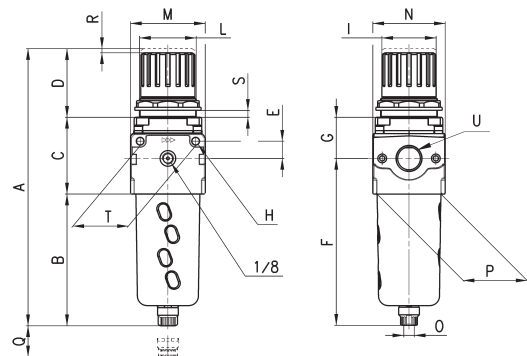
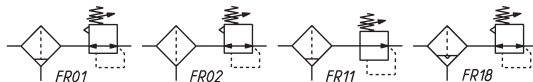
CODING EXAMPLE

MC	2	02	-	D	0	0	-	4
-----------	----------	-----------	----------	----------	----------	----------	----------	----------

MC	SERIES
2	SIZE: 1 = G1/4 2 = G3/8 - G1/2
02	PORTS: 04 = G1/4 38 = G3/8 02 = G1/2
D	D = FILTER-REGULATOR
0	FILTERING ELEMENT: 0 = 25µm (standard) 1 = 5µm
0	DRAINING OF CONDENSATE: 0 = manual semiautomatic, self-relieving 1 = manual semiautomatic, non relieving 3 = automatic, self-relieving (only for G3/8 and G1/2) 4 = depressurisation, self-relieving (only G1/4) 5 = depressurisation, protected, self-relieving 8 = no drain, port G1/8, self-relieving For condensate drains see the section 3/5.10
4	WORKING PRESSURE = 0,5 + 10 2 = 0 + 2 (only G1/4) 4 = 0 + 4 7 = 0,5 + 7 (only G1/4)

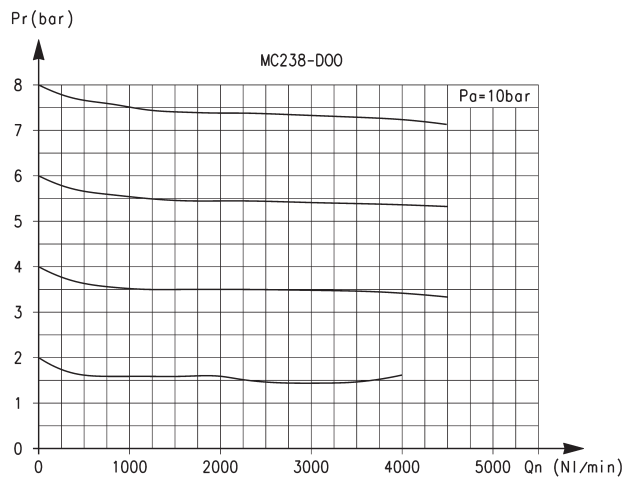
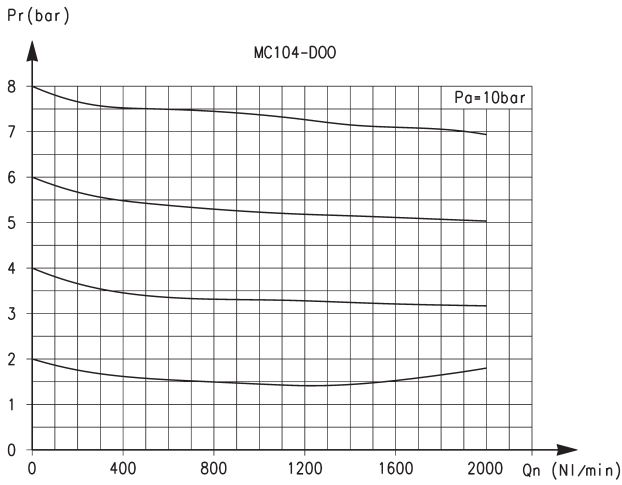
Filter-regulators Series MC


FR01 = filter-regulator with relieving and manual drain
 FR02 = FR with relieving and without drain
 FR11 = FR with manual drain and without relieving
 FR18 = FR with relieving and automatic drain


DIMENSIONS

Mod.	A	B	C	D	E	F	G	H	I	L	M	N	O	P	Q	R	S	T	U
MC104-D00	190,5	102	52	38	11	126,5	27,5	4,5	28	M30x1,5	45	45	G1/8	37	58	3	0 + 6	35	G1/4
MC238-D00	256,5	133	64	59	14	162	35	5,5	45	M47x1,5	62	59	G1/8	53	72	3,5	0 + 9	46	G3/8
MC202-D00	256,5	133	64	59	14	162	35	5,5	45	M47x1,5	62	59	G1/8	53	72	3,5	0 + 9	46	G1/2

FLOW DIAGRAMS

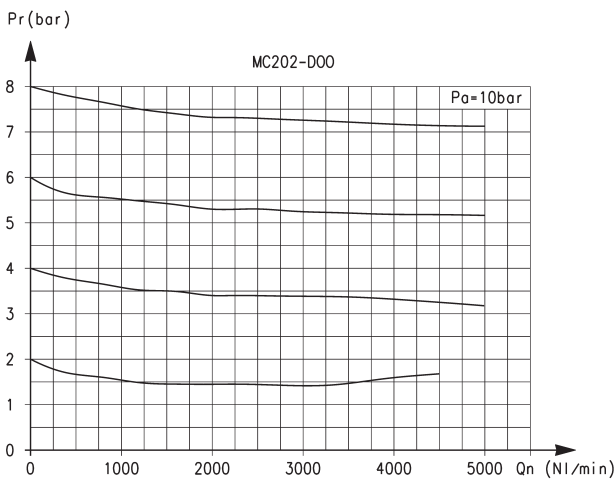


Pa = Inlet pressure
Pr = Regulated pressure
Qn = Flow

Pa = Inlet pressure
Pr = Regulated pressure
Qn = Flow

NOTE: on the filter-regulator the different air quality characteristics that can be reached through the filtering elements options don't affect the flow values shown in the diagram.

FLOW DIAGRAM



Pa = Inlet pressure
Pr = Regulated pressure
Qn = Flow

NOTE: on the filter-regulator the different air quality characteristics that can be reached through the filtering elements options don't affect the flow values shown in the diagram.