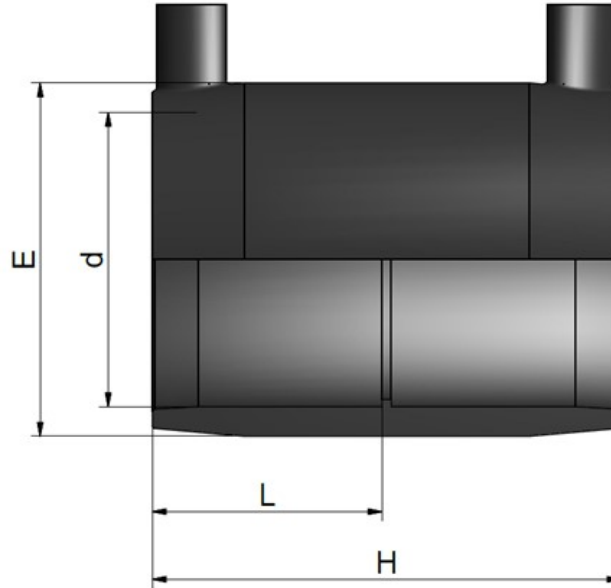


PE 100 Electrofusion fittings
PE 100 Raccordi elettrosaldabili

SOCKET
MANICOTTO

Rev. Jun 2019
 FN5041



Code	d	E	L	H	PN	Weight (g)
REPMAD0200	20	29	37,5	77	16	40
REPMAD0250	25	33,5	37,5	77	16	40
REPMAD0320	32	43	37,5	77	16	60
REPMAD0400	40	51,5	44	90	16	90
REPMAD0500	50	61,5	44	91	16	100
REPMAD0630	63	77	49	102	16	150
REPMAD0750	75	92	59	120	16	270
REPMAD0900	90	110	60	122	16	340
REPMAD1100	110	133	70	144	16	570
REPMAD1250	125	151	80	154	16	770
REPMAD1400	140	172	79	165	16	1450
REPMAD1600	160	195	86	175	16	1410
REPMAD1800	180	220	91	185	16	1920
REPMAD2000	200	243	92	186	16	2310
REPMAD2250	225	270	109	222	16	3600
REPMAD2500	250	300	108	220	16	4280
REPMAD2800	280	345	127	260	16	8320
REPMAD3150	315	386	128	261	16	10100
REPMAD3550	355	437	126	260	16	12300
REPMAD4000	400	499	147	295	16	15000

All descriptions and illustrations in this publication are intended for guidance only and shall not constitute a 'sale by description'. All dimensions given are nominal, while changes can be done on the information, products and specifications from time to time for a variety of reasons, without prior notice. The information in this publication is provided 'as is' on the revision date stated on the sheet. Updates will not be issued automatically. This information is not intended to have any legal effect, whether by way of advice, representation or warranty (express or implied). We accept no liability whatsoever (to the extent permitted by law) if you place any reliance on this publication you must do so at your own risk. All rights reserved. Copyright in this publication belongs to Polypipe Italia and all such copyright may not be used, sold, copied or reproduced in whole or part in any manner in any media to any person without prior consent. **EFFAST** is a registered trademark."