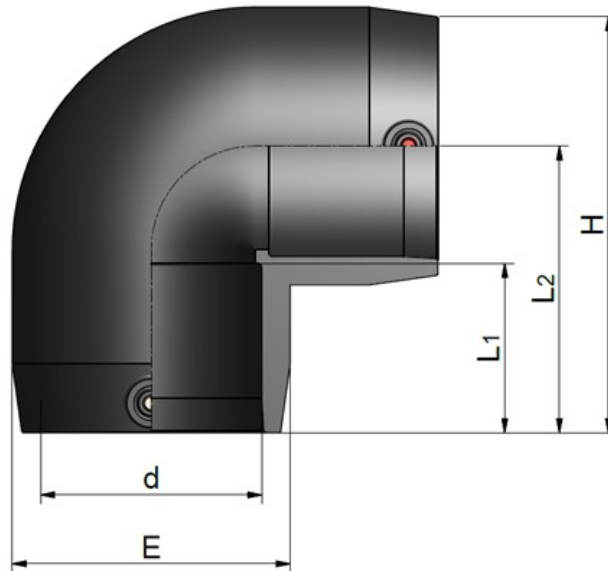


PE 100 Electrofusion fittings
PE 100 Raccordi elettrosaldabili

90° ELBOW
GOMITO 90°

Rev. Jun 2019
 FN5041



Code	d	E	L1	L2	H	PN	Weight (g)
REPGOD0200	20	43	40	63	83	16	150
REPGOD0250	25	35	41	60	76	16	60
REPGOD0320	32	44	40	62	84	16	100
REPGOD0400	40	52	42	65	91	16	120
REPGOD0500	50	63	45	72	103	16	170
REPGOD0630	63	81	50	84	123	16	310
REPGOD0750	75	95	53	92	141	16	440
REPGOD0900	90	113	60	109	185	16	680
REPGOD1100	110	137	73	135	204	16	1150
REPGOD1250	125	154	78	152	228	16	1640
REPGOD1600	160	201	87	205	305	16	5000
REPGOD1800	180	222	90	197	308	16	4120

All descriptions and illustrations in this publication are intended for guidance only and shall not constitute a 'sale by description'. All dimensions given are nominal, while changes can be done on the information, products and specifications from time to time for a variety of reasons, without prior notice. The information in this publication is provided 'as is' on the revision date stated on the sheet. Updates will not be issued automatically. This information is not intended to have any legal effect, whether by way of advice, representation or warranty (express or implied). We accept no liability whatsoever (to the extent permitted by law) if you place any reliance on this publication you must do so at your own risk. All rights reserved. Copyright in this publication belongs to Polypipe Italia and all such copyright may not be used, sold, copied or reproduced in whole or part in any manner in any media to any person without prior consent. **EFFAST** is a registered trademark."