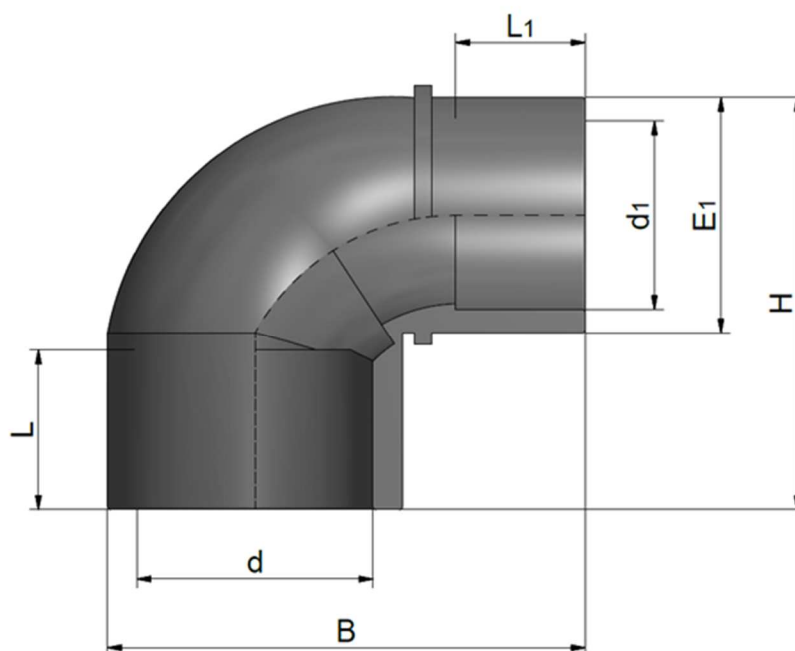


PVC-U Solvent welded metric fittings
PVC-U Raccordi per incollaggio metrici

ELBOW 90° REDUCED F-M/F
GOMITO 90° RIDOTTO F-M/F

Rev. Jul 2020



Code	d	d1	E1	L	L1	B	H	PN	Weight (g)
RDRGRD032C	32	25	32	22	20	68	54	16	56
RDRGRD040D	40	32	40	27	22	81	70	16	65
RDRGRD050E	50	40	50	31	27	102.5	107	16	85
RDRGRD063F	63	50	63	39	32	123.5	107	16	109
RDRGRD075G	75	63	75	40	32	140	119.5	16	123
RDRGRD110I	110	90	110	60	47	205	175	16	198

All descriptions and illustrations in this publication are intended for guidance only and shall not constitute a 'sale by description'. All dimensions given are nominal, while changes can be done on the information, products and specifications from time to time for a variety of reasons, without prior notice. The information in this publication is provided 'as is' on the revision date stated on the sheet. Updates will not be issued automatically. This information is not intended to have any legal effect, whether by way of advice, representation or warranty (express or implied). We accept no liability whatsoever (to the extent permitted by law) if you place any reliance on this publication you must do so at your own risk. All rights reserved. Copyright in this publication belongs to Polypipe Italia and all such copyright may not be used, sold, copied or reproduced in whole or part in any manner in any media to any person without prior consent. **EFFAST** is a registered trademark."