

PVC-U Double union spring check valves CV

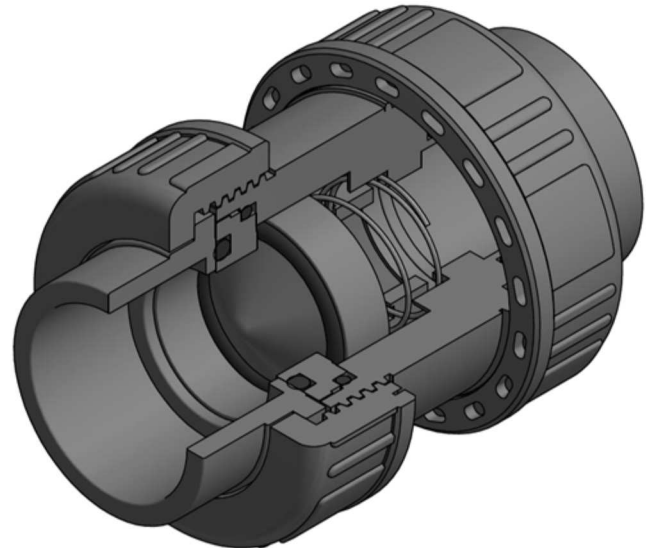
PVC-U Valvole di non ritorno radiali a molla CV

Rev. Apr 2020

EFFAST CV valve is a PVC-U spring check valve ideal for use in applications that require precise closure and noiseless movement. CV check valve is suitable for use in water treatment, SPAs and pools.

Le valvole EFFAST serie CV sono valvole di non ritorno a molla in PVC-U, ideali per applicazioni che richiedono una chiusura precisa e movimenti silenziosi. Le valvole di non ritorno CV sono adatte per utilizzo nei settori del trattamento acque, delle SPA e delle piscine.

- Suitable for vertical and horizontal installation.
Adatta per installazione orizzontale e verticale.
- Stainless Steel spring; PTFE coated spring on request.
Molla in acciaio Inox e, su richiesta, con rivestimento in PTFE.
- EPDM or FKM seals available.
Disponibile con guarnizioni in EPDM o FKM.
- Transparent PVC body available, for easier inspection of the plant.
Disponibile con corpo trasparente, per una più facile ispezione dell'impianto.
- Marine Application Certificate.
Certificata per applicazioni navali.



TECHNICAL FEATURES / CARATTERISTICHE TECNICHE

NOMINAL PRESSURE / PRESSIONE NOMINALE	PN 16 (20°C)
DIMENSIONS / DIMENSIONI	DN 15 ÷ DN 100 (d.16 ÷ 110 mm – 1/2" ÷ 4")
VALVE MATERIAL / MATERIALE VALVOLA	PVC-U
SEALS MATERIAL / MATERIALE GUARNIZIONI	O-rings: EPDM or FKM / O-ring: EPDM o FKM
SPRING MATERIAL / MATERIALE DELLE MOLLA	Stainless steel. PTFE coated on request. / Acciaio Inox. A richiesta, rivestita PTFE
TEMPERATURE RANGE / TEMPERATURA	0°C ÷ 60°C
COUPLING STANDARDS / GIUNZIONI	Solvent welded sockets: metric, BS / Manicotti incollaggio: metrici, BS Threaded sockets: BSPP / Manicotti filettati BSPP On request: JIS or ASTM solvent welded sockets, NPT threaded sockets / A richiesta: manicotti per incollaggio JIS e ASTM, manicotti filettati NPT



Certifications and approvals: only for items declared on Official Listing or certificates. / Certificazioni: solo per gli articoli dichiarati nelle Official Listing o nei certificati stessi.

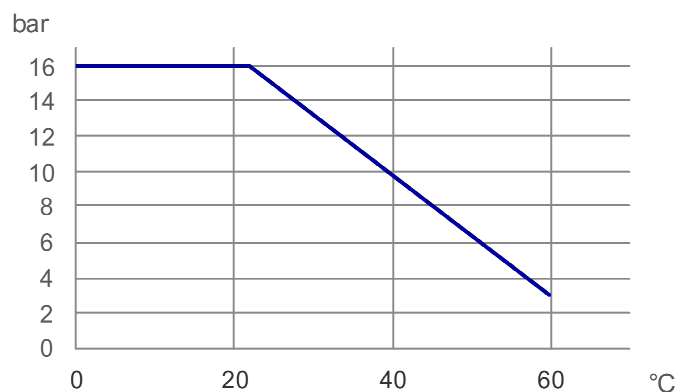
PVC-U Double union spring check valves CV

PVC-U Valvole di non ritorno radiali a molla CV

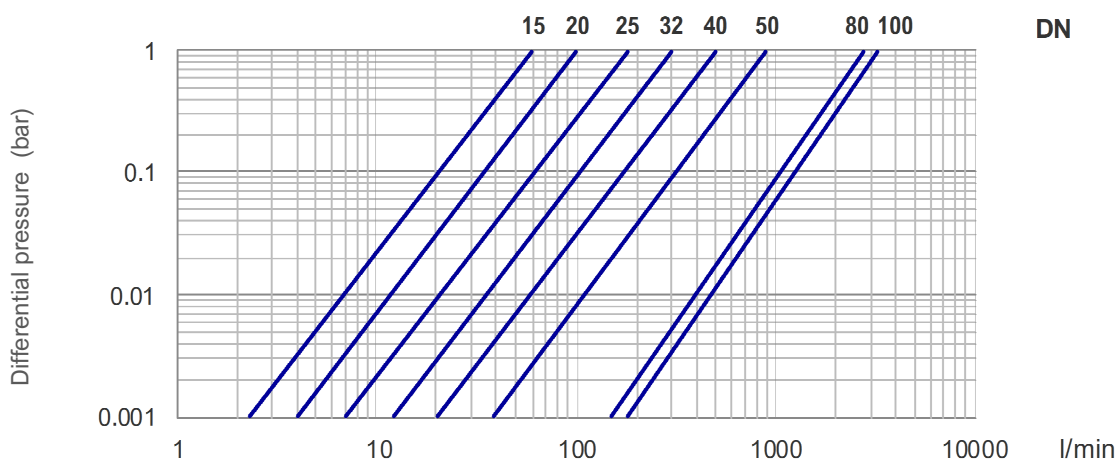
Operating pressure / Pressione di esercizio

Maximum operating pressure for PVC-U: according to temperature as shown in graph.

Massima pressione di esercizio per il PVC-U: secondo quanto indicato nel grafico in figura.



Pressure loss / Perdite di carico



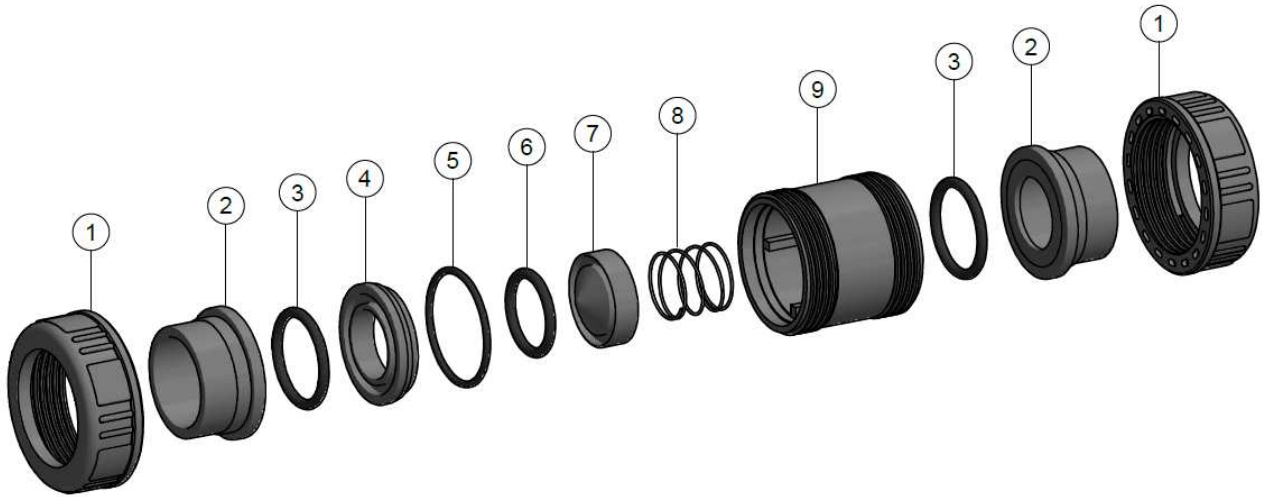
Minimum opening pressure / Pressione minima di apertura

DN	DN 15	DN 20	DN 25	DN 32	DN 40	DN 50	DN 80	DN 100
bar	0.012	0.010	0.010	0.010	0.008	0.008	0.006	0.006

PVC-U Double union spring check valves CV

PVC-U Valvole di non ritorno radiali a molla CV

Components / Componenti



n.	COMPONENT	MATERIAL	Qty
1	Nut / Ghiera	PVC-U	2
2	Socket / Manicotto	PVC-U	2
3	Socket O-ring / O-ring manicotto	EPDM/FKM	2
4	Gasket carrier / Supporto guarnizioni	PVC-U	1
5	Body O-ring / O-ring corpo	EPDM/FKM	1

n.	COMPONENT	MATERIAL	Qty
6	Plunger O-ring / O-ring otturatore	EPDM/FKM	1
7	Plunger / Otturatore	PVC-U	1
8	Spring / Molla	SS or PTFE coated	1
9	Body / Corpo	PVC-U	1

All descriptions and illustrations in this publication are intended for guidance only and shall not constitute a 'sale by description'. All dimensions given are nominal, while changes can be done on the information, products and specifications from time to time for a variety of reasons, without prior notice. The information in this publication is provided 'as is' on the revision date stated on the sheet. Updates will not be issued automatically. This information is not intended to have any legal effect, whether by way of advice, representation or warranty (express or implied). We accept no liability whatsoever (to the extent permitted by law) if you place any reliance on this publication you must do so at your own risk. All rights reserved. Copyright in this publication belongs to Polypipe Italia and all such copyright may not be used, sold, copied or reproduced in whole or part in any manner in any media to any person without prior consent. **EFFAST** is a registered trademark.